

Order code	LUGO N 01/02/03 BF
------------	--------------------

Meets requirement limit values for

EN 13 240	●
15a B-VG 2015	●
DIN plus	●
BImSch V 2	●

Features during operation

Ekodesign (Seasonal energy efficiency of heating)	%	72,9
Energy efficiency index (EEI)		109,8
Energy Label		A+
Fuel		Piece wood
Length of fuel	mm	330
Average wood consumption	kg/h	1,75
Allowed wood batch	kg/h	2,3
Fuel supply interval for the rated output		1 hour
Combustion air requirement	m ³ /h	22,2

General data

Nominal heat output	kW	6,0
Reg.output	kW	3,0 - 7,8
Efficiency	%	81,9
Dry flue gases mass flow to calculate the flue path	g/s	7,4
Mean flue gas temperature	°C	231
Mean flue gas temperature after throat	°C	262
Flue draught	Pa	12
Dust - O ₂ =13%	mg/m ³	22
CO - O ₂ =13%	mg/m ³	923
CO ₂	%	9,53
OGC - O ₂ =13%	mg/m ³	59
NO _x - O ₂ =13%	mg/m ³	111

Dimensions and weights

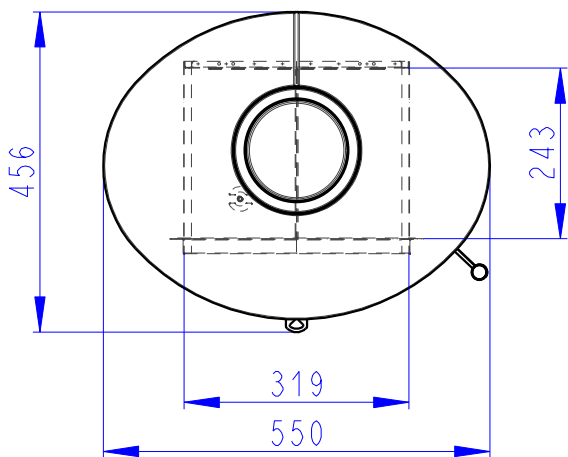
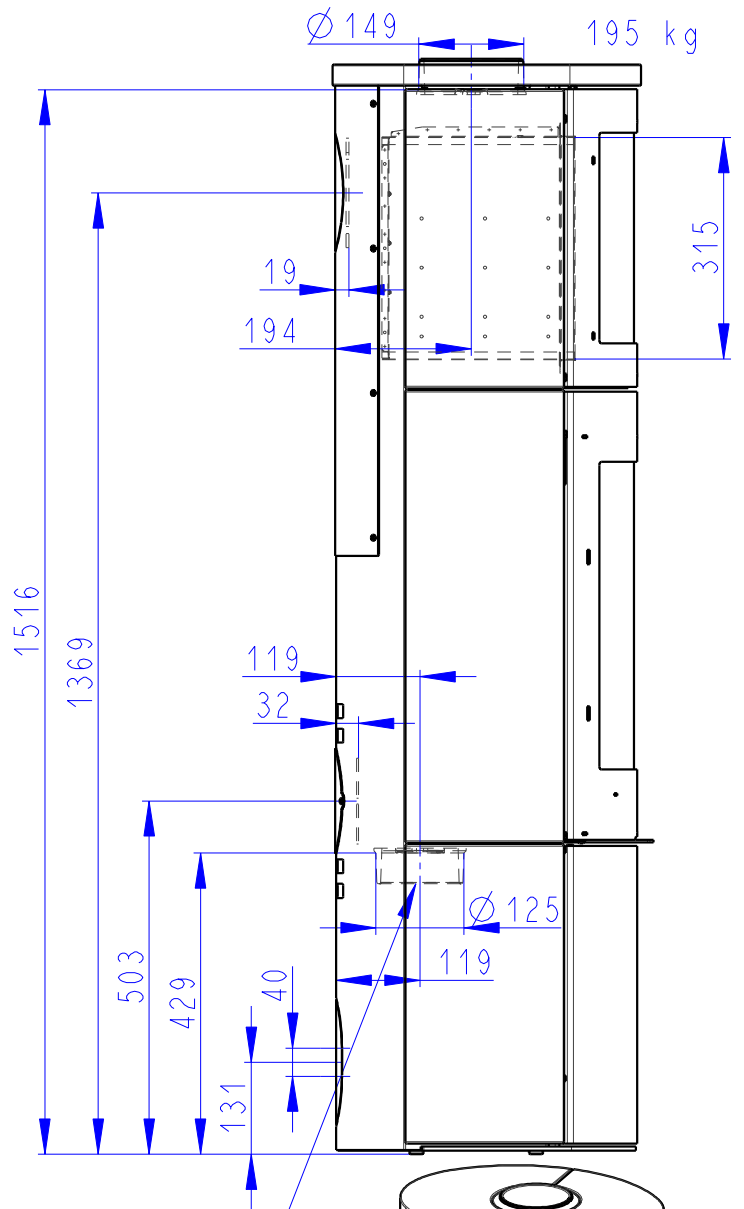
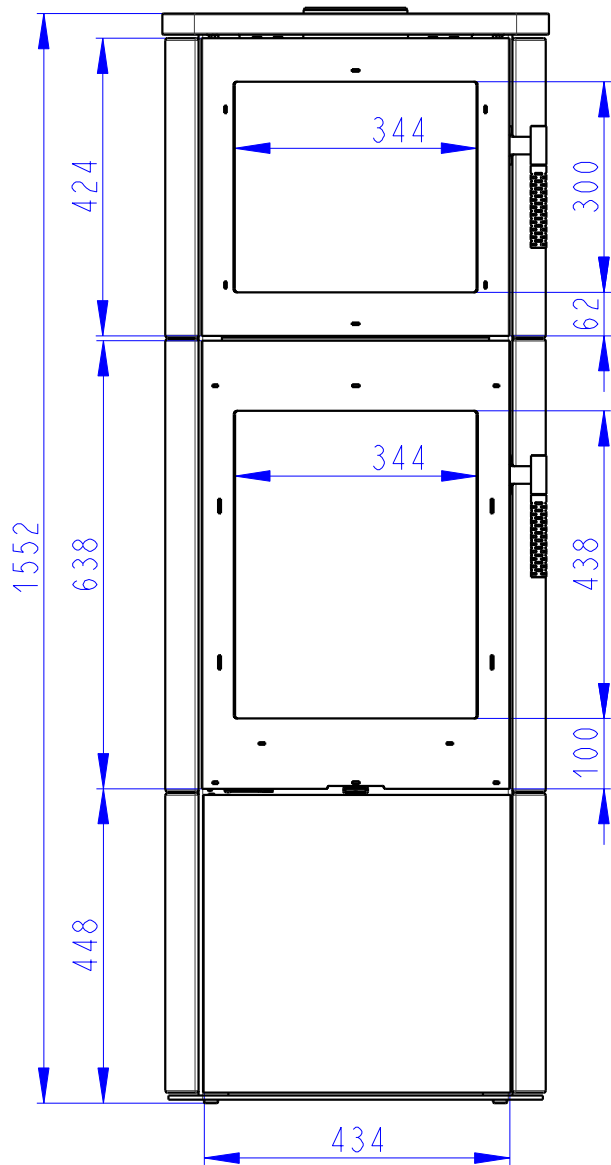
Dimensions (Height x Width x Depth)	mm	1552 x 550 x 456
Connection height for rear (side) installation	mm	1369
Flue gas connector diameter	mm	150
Flue socket diameter	mm	150
External air intake (EAI)	mm	125
Weight	kg	195/192/150
Dimensions of the combustion chamber (Height x Width x Depth)	mm	382 x 344 x 314
Safe distance from flammable materials (Back x Front x Side x Side with glass x From the ceiling)	mm	250/800/350/---/800

Supplied accessories

Protective glove	●
Ashtray	●

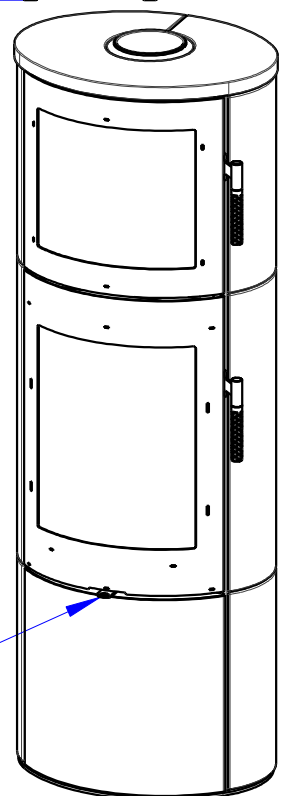
LUGO N 01 BF KERAMIKA-097S

Dimensions in mm



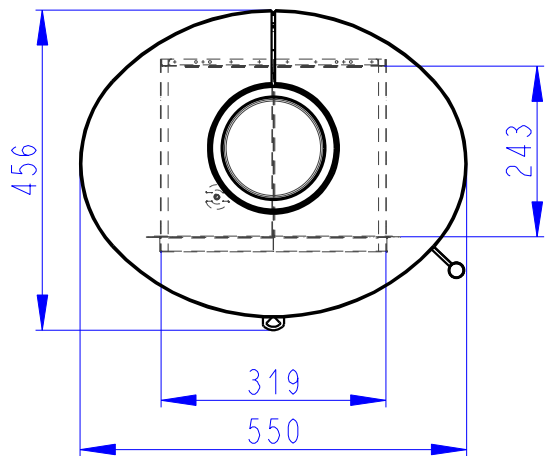
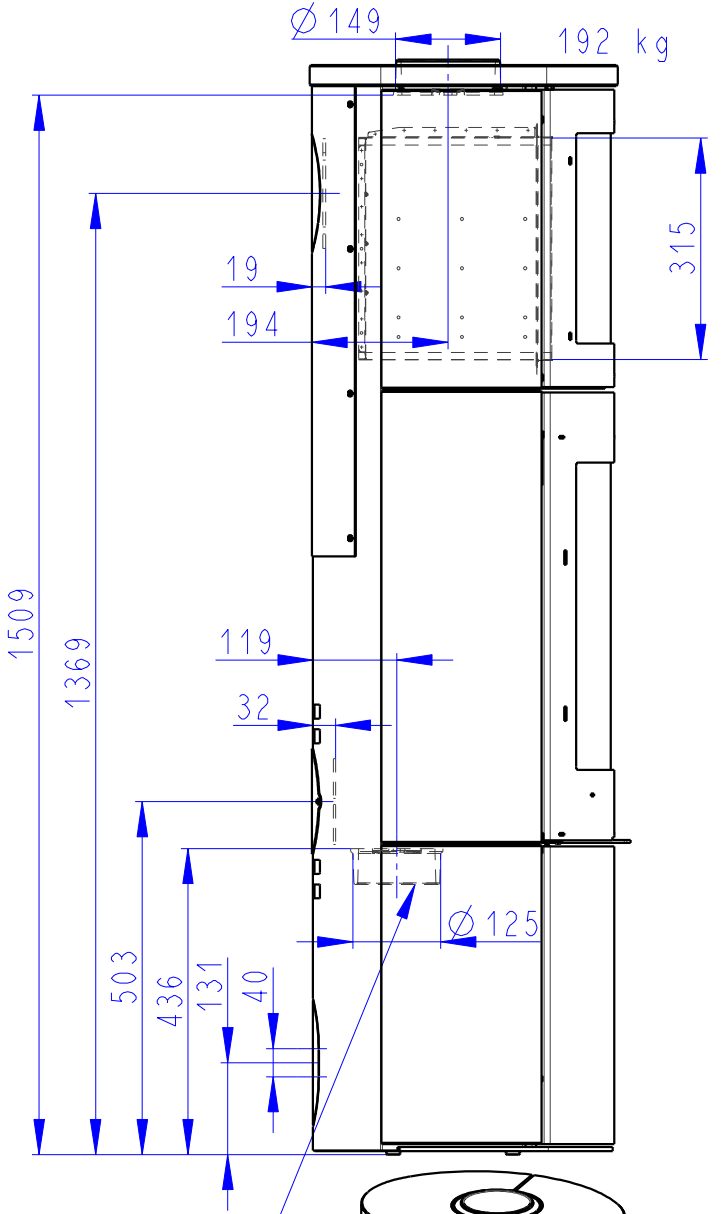
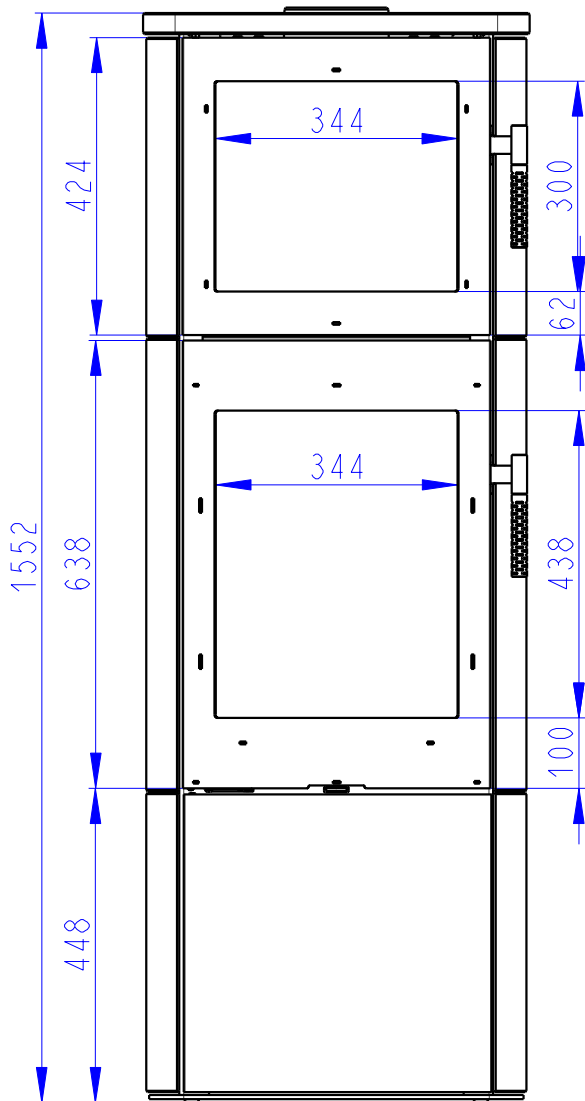
Central air inlet $\varnothing 125$

Primary and secondary air



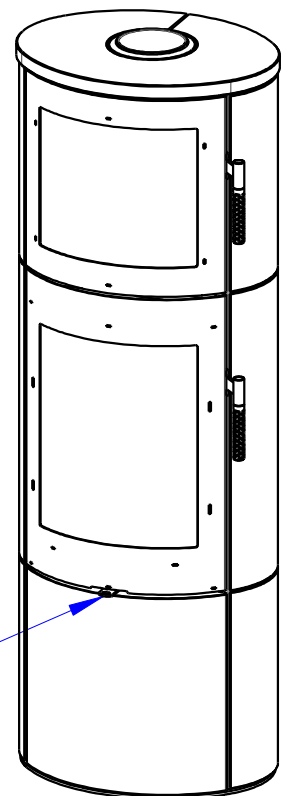
LUGO N 02 BF SERPENTIN-097S

Dimensions in mm



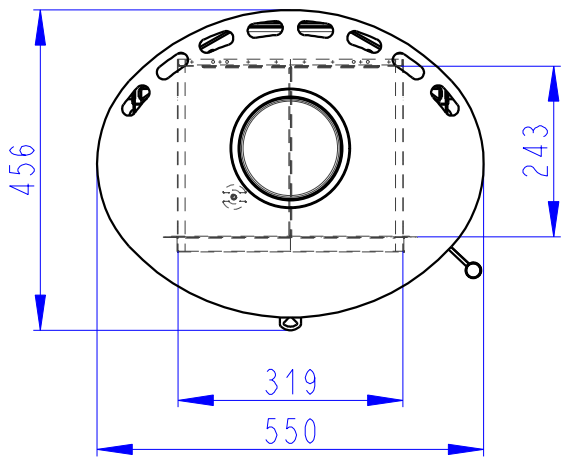
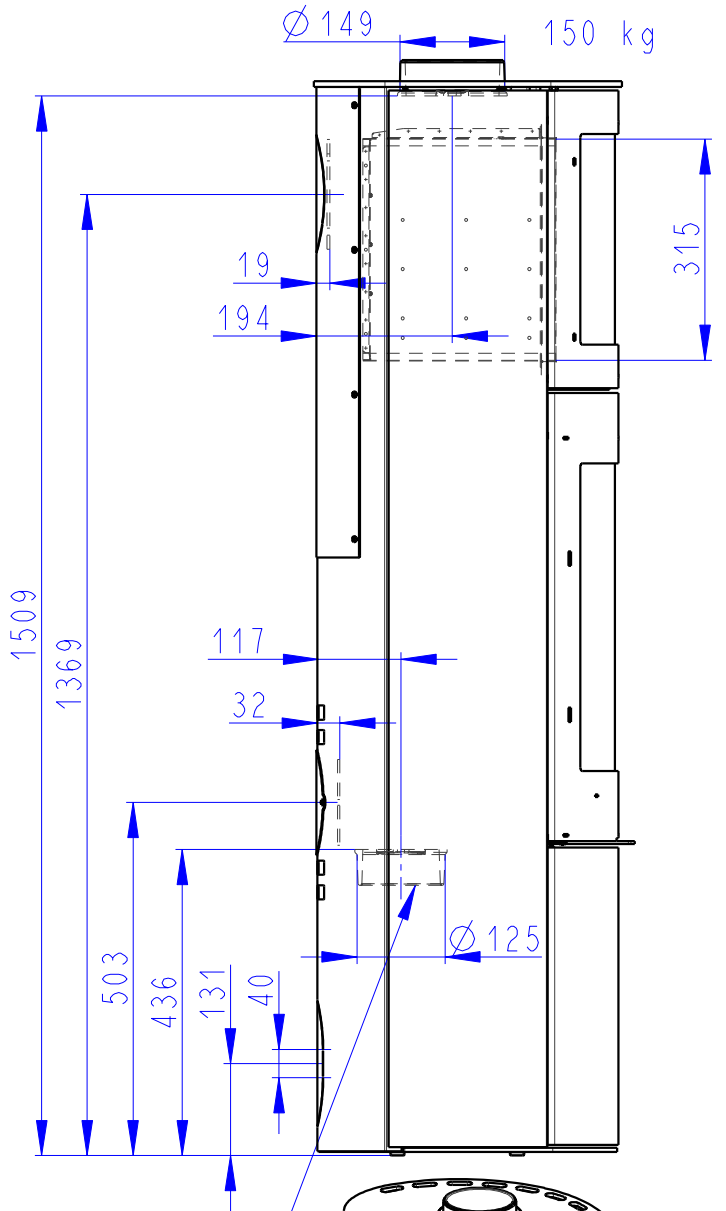
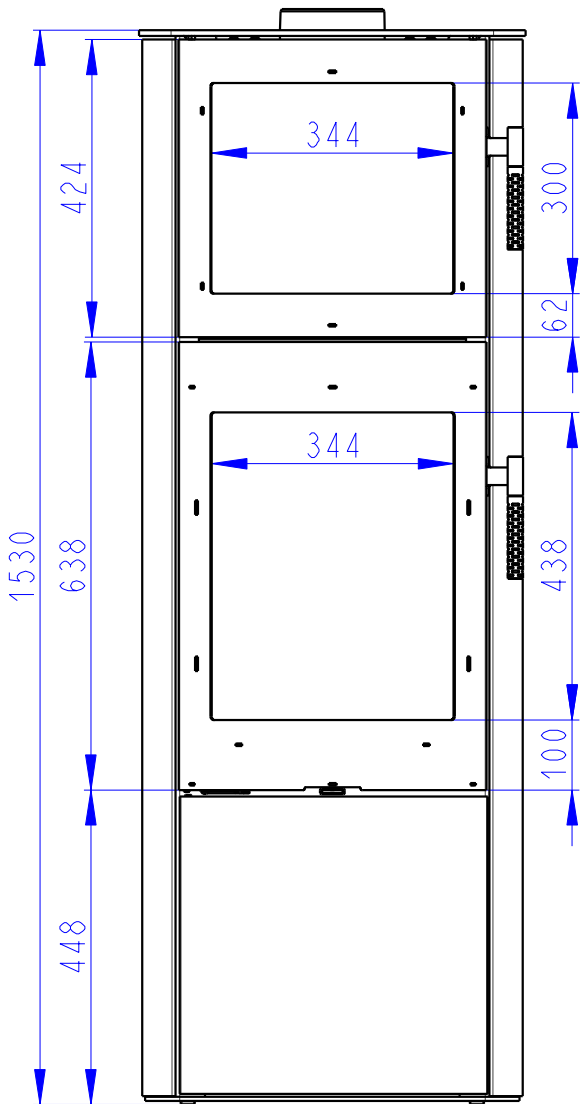
Central air inlet $\varnothing 125$

Primary and secondary air



LUGO N 03 BF PLECH-097S

Dimensions in mm



Central air inlet $\varnothing 125$

Primary and secondary air

