

Shaker Stove



WITTUS[®]
FIRE BY DESIGN

Shaker

Inspired by classical American Shaker furniture designs, the "Shaker" stove with its appealing proportions and spare lines, is at home in the most sophisticated, elegant, and contemporary surroundings. This piece of fireplace furniture has an enormous emotional impact on the living space.

The Shaker wood burning stove/fireplace comes in matte black steel and is available in two versions. The standard model features a short table and measures 41" high, 34" wide, and 21" deep. The Shaker also has an extra-long version with a bench table that measures 6' and can be used for cozy fireside seating. Choice of a left or right side loading door.

The Shaker is produced in Germany and was designed by Antonio Citterio with Toan Nguyen. It is the winner of both the prestigious reddot design award and the Chicago Museum of Architecture Good Design awards in 2006.

Antonio Citterio is one of the most renowned architects and designers in Europe. He claims the secret of his success is his commitment to truth and individuality.



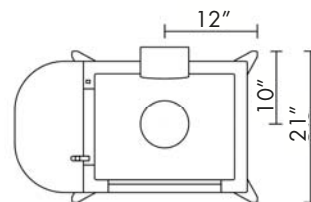
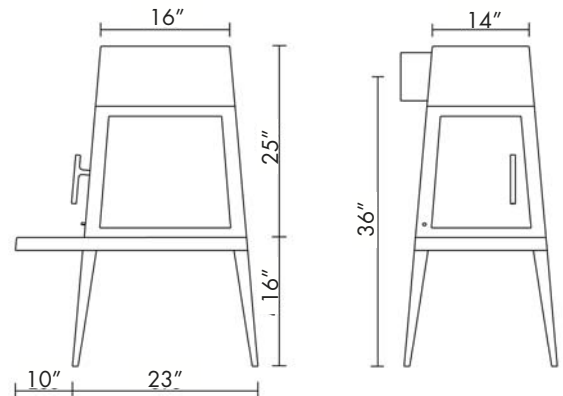
"I design objects for myself, and not in response to the recommendations of the market. If I didn't want to surround myself with my designs, then they wouldn't exist."

All models utilize a highly efficient, fire box and are EPA certified and approved to UL/ULC standards.



Technical Specifications

Material	Steel	
Color	Black	
Optimal heat output	20,000BTU	6kW
Heat output range	10kBTU-23kBTU	3kW-7kW
Heating capacity range	520-1330ft ²	20-50m ²
Flue size	6"	15cm
Venting	Top or Back	
Outside Air - available opening at back of stove	Height is 19.5"(50cm) at center of 4" diam. opening	
Weight	300-330lb	136-150kg
Firebox: height/width/depth	14/16/12"	35/40/30cm



Wittus Inc.
P.O. Box 120
Pound Ridge NY 10576
T 914.764.5679
F 914.764.0465
www.wittus.com
info@wittus.com

