

INSTALLATION INSTRUCTIONS

HELEX HI-FIRE COLLECTION SUENO MANTEL



TABLE OF CONTENTS

<u>1. “SUENO” Mantel</u> Warranty	Pag. 3
<u>2. Installing the “SUENO” mantel base unit</u> Preparations	Pag. 3
<u>3. Installing the “SUENO” mantel base unit with plinth</u> Preparations Gas supply pipe modification Installing the plinth and mantel	Pag. 3
<u>4. Installing the “SUENO” mantel base unit with plinth and ornamental flue</u>	Pag. 4
Note	Pag. 4
Maintenance	Pag. 4
Parts list	
<u>Diagrams and layout plan</u>	Pag. 5 to 9

The “SUENO” mantel consists of three subdeliveries; they are:

Basic mantel

1x wall bracket
2x M10 x 30 hexagon-head bolts
2x M10 x 20 set bolts
4x M8 cotter bolts
Installation instructions

Plinth (additional)

1x right-angled coupling
1x 3/8” cap

Ornamental flue (additional)

2x 6 x30 wood turned bolts
2x 8 mm U-plugs

CHANGES CAN BE MADE WITHOUT PRIOR NOTICE.

NG 4140014 (0/08072004)

1. “SUENO” mantel

The mantel has a design that can be applied to many interiors because of its many possibilities.

The mantel can be assembled based on your requirements because it is supplied in various subdeliveries. All subdeliveries have been packaged in a separate box. Check the mantel and the subdeliveries that you have chosen immediately after delivery to verify they have not suffered any (transportation) damage. If they have, inform your supplier immediately and as accurately as possible. Refer to the delivery document. We recommend you carefully read the corresponding INSTALLATION INSTRUCTIONS and OPERATING AND INSTALLATION INSTRUCTIONS to avoid any problems when installing the mantel and the HI-FIRE base unit before installing these items.

Warranty

Refer to HI- FIRE base unit.

2. Installing the “SUENO” mantel base unit (refer to page 6, figure 1)

Attention!

Before installing the HI-FIRE base unit (6), install the mantel at the location that you have carefully chosen. First remove the carton accessories from the box. Next, the mantel and the wall bracket (6 and 9) can be carefully taken out from the box. Check the mantel to verify there are no damages.

Preparations

It is very important that the mantel (1) is not positioned too high because you would be looking at the bottom of the unit if it is installed too high. We recommend using the hole pattern as specified on pages 6, 7 and 8. You can drill the $\varnothing 14$ and the $\varnothing 160$ holes for the concentric exhaust flue as specified when the correct position has been determined. Position the 4 supplied cotter bolts M8 (10) in the drilled $\varnothing 14$ holes. Next, remove the nuts and rings (11 and 12) that can be found on the expansion bolts. The wall bracket (13) can now be positioned on the wall and it can be secured using the nuts and rings that have just been removed. Position the Hi-Fire base unit on the wall bracket by first removing the four adjusting legs at the bottom of the unit. Position the base unit on the wall bracket in such a way that the securing points lie in parallel with the slotted holes (A) in the wall bracket where previously the rear adjusting legs had been positioned (B). The unit should be bolted to the wall bracket with the 2 supplied M10 x 30 hexagon-head bolts (9) from the bottom of the wall bracket via the slotted holes. Do not tighten these bolts too tightly. The two supplied hexagon-head bolts (8) should be positioned using the position where previously the front adjusting legs were (refer to the detailed drawing) to ensure the unit is level. Next, the base unit can be installed. **Attention: Refer to the “OPERATIONAL AND INSTALLATION INSTRUCTIONS” supplied with this unit before connecting and installing the HI-FIRE base unit (6).**

Once the base unit has been installed, the mantel can be slid over the unit until the mantel is hooked onto the wall bracket at the top. You must, at the same time, check that the mantel obtains the correct position at the bottom through the securing structure on the inside of the mantel (refer to the detailed diagram). If the unit is not proportional to the mantel, the unit position can be corrected using the set bolts (8) at the bottom of the base unit. **Tip:** If the wall on which the unit is to be installed is to be plaster-finished, we recommend placing a few spacer rings (also known as fender washers) between the wall and the securing points of the wall bracket which will ensure the whole unit is pushed forward. This will ensure that the wall and/or mantel are not damaged when being installed.

3. Installing the “SUENO” base unit mantel with plinth (refer to page 7, figure 2)

Attention!

First, position the mantel (1) on the carefully chosen location before installing the HI-FIRE base unit (6). Check the mantel to verify there are no damages. Remove the plinth (14) from the box and check it to verify there are no damages.

Preparations

Gas supply pipe modification (refer to page 9, figure 4)

The HI- FIRE is a base unit and, therefore, the gas supply pipe connection may have to be extended. This is the case when using this combination.

The HI-FIRE base unit has a rear connection as standard but if the plinth is used, access will be blocked. The connection must, therefore, be moved to the side. (Refer to page 8.) Position the unit carefully on its back and take the 3/8" sealing cap and turn it around the end of the 3/8" pipe (B) (package well). Unscrew and remove the plug (A; intake side, arrow direction towards the block) and mount on this the supplied right-angled coupling (C; package well) and check for leaks. Next, the gas valve should be positioned behind the plinth valve (14).

Installing the plinth and mantel

Determine the required position for the unit. Take any skirting boards or other obstacles into consideration that may be present which would mean that the plinth cannot be placed flush to the wall. Remove these obstacles carefully. Once the correct position has been determined, drill the \varnothing 14 holes and the \varnothing 160 hole for the concentric exhaust flue as specified. We recommend using the hole pattern as specified on pages 6, 7 and 8. Position the 4 supplied M8 cotter bolts (10) in the drilled \varnothing 14 holes. Next, remove the nuts and rings (11 and 12) that can be found on the expansion bolts. The wall bracket (13) can now be positioned on the wall and it can be secured using the nuts and rings that have just been removed. Position the Hi-Fire base unit on the wall bracket by first removing the four adjusting legs at the bottom of the unit. Next, the base unit can be installed. **Attention: Refer to the "OPERATIONAL AND INSTALLATION INSTRUCTIONS" supplied with this unit before connecting and installing the HI-FIRE base unit (6).** The plinth can be installed under the wall bracket after installing the base unit. Position the base unit on the wall bracket in such a way that the securing points lie in parallel with the slotted holes (A) in the wall bracket where previously the rear adjusting legs had been positioned (B). The unit should be secured to the wall bracket and the plinth with the 2 supplied M10 x 30 hexagon-head bolts (9) from the bottom of the plinth through the slotted holes which are furthest away (rear). Do not tighten these bolts too tightly. The two supplied hexagon-head bolts (8) should be positioned where previously the front adjusting legs were positioned (refer to the detailed drawing) to ensure the unit is level. The above also applies to the plinth. Once the base unit and the plinth have been installed, the mantel can be slid over the unit until the mantel is hooked onto the wall bracket at the top. You must at the same time check that the mantel has the correct position at the bottom through the securing structure on the inside of the mantel (refer to the detailed diagram). If the unit is not proportional to the mantel, the unit position can be corrected using the set bolts (8) at the bottom of the base unit. **Tip:** If the wall on which the unit is to be installed is to be plaster-finished, we recommend placing a few spacer rings (also known as fender washers) between the wall and the securing points of the wall bracket which will ensure the whole unit is pushed forward. This will ensure that the wall and/or mantel are not damaged when being installed.

4. Installing the "LIGERO" base unit mantel with plinth and ornamental flue **(Refer to page 8, figure 3)**

This combination will allow you to discharge the stack flue upwards. The order in which this combination should be installed is the same as the order above except that an ornamental flue (16 and 17) is also installed and that a top plate (2) must be removed. The top plate (2) can be removed by loosening the 3 nuts (3). Take the ornamental flue carefully out of the box and check it to verify there are no damages. Once the unit has been installed on the wall, position the ornamental flue (16) and slide-in section (17) on the mantel (1). Move the slide-in section (17) upwards towards the ceiling. Now you will be able to mark off the holes on the ceiling for securing purposes. Remove the ornamental flue and slide-in section from the mantel and, next, position the stack flue sections as specified in the OPERATIONAL AND INSTALLATION INSTRUCTIONS of the HI-FIRE base unit. Once the above has been completed, you can install the ornamental flue and slide-in section using the supplied fixing materials.

Note:

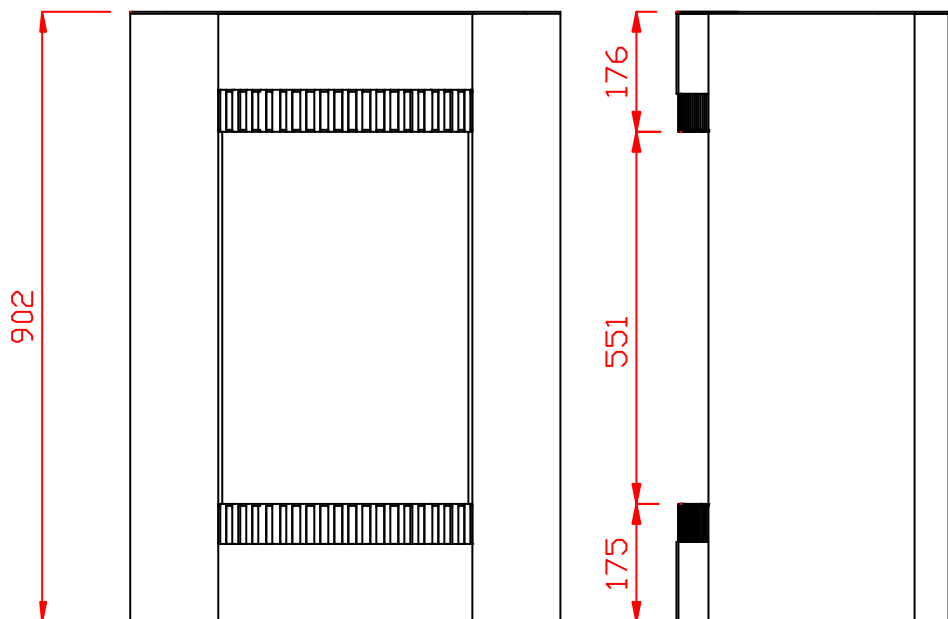
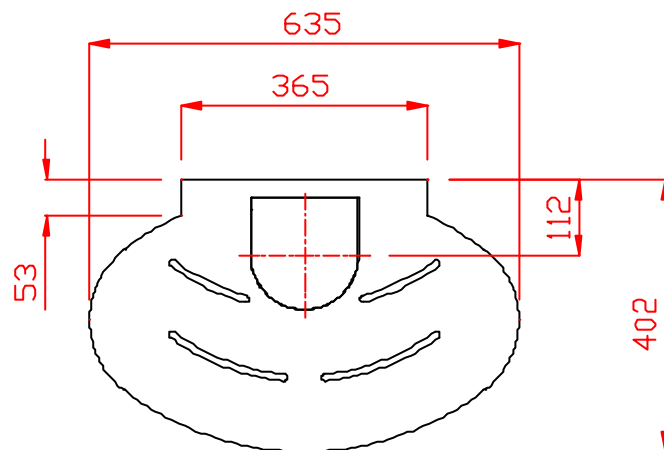
The HI-FIRE base unit is supplied with a radiation plate as standard. You do not have to install and use this plate in the case of the SUENO mantel. Refer to the OPERATIONAL AND INSTALLATION INSTRUCTIONS of the HI-FIRE base unit for more information.

Maintenance:

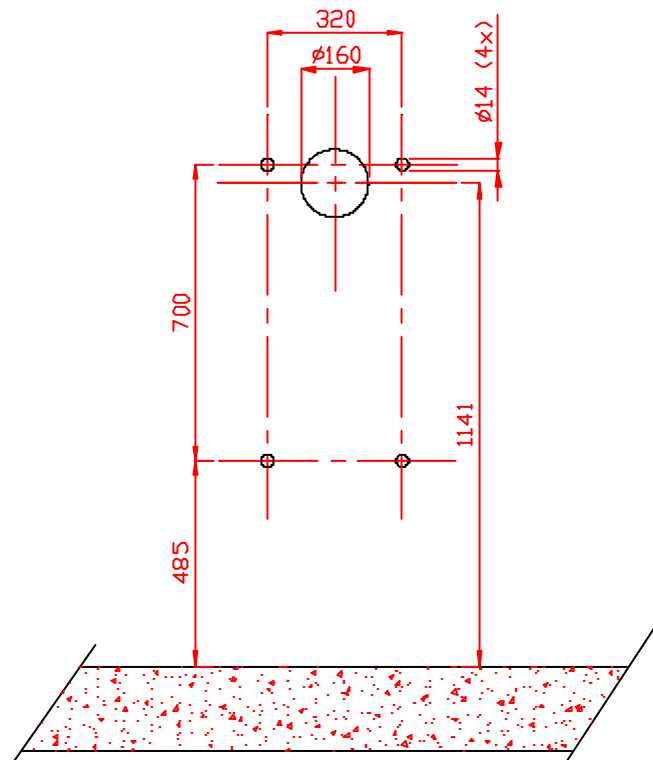
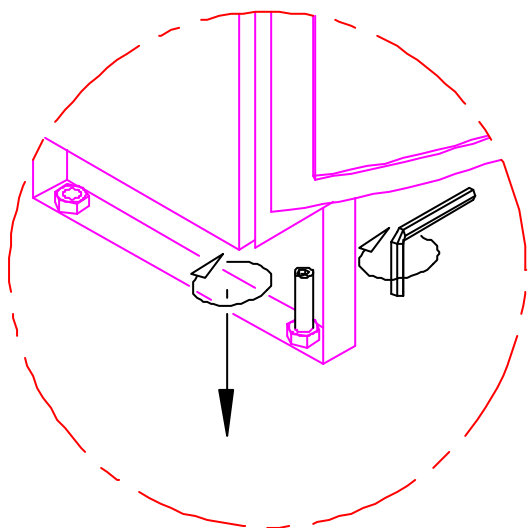
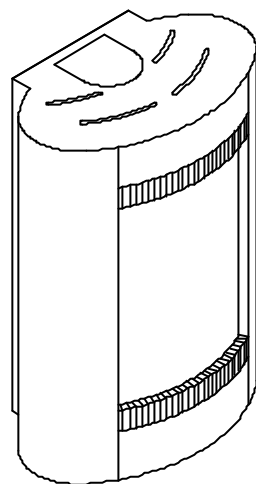
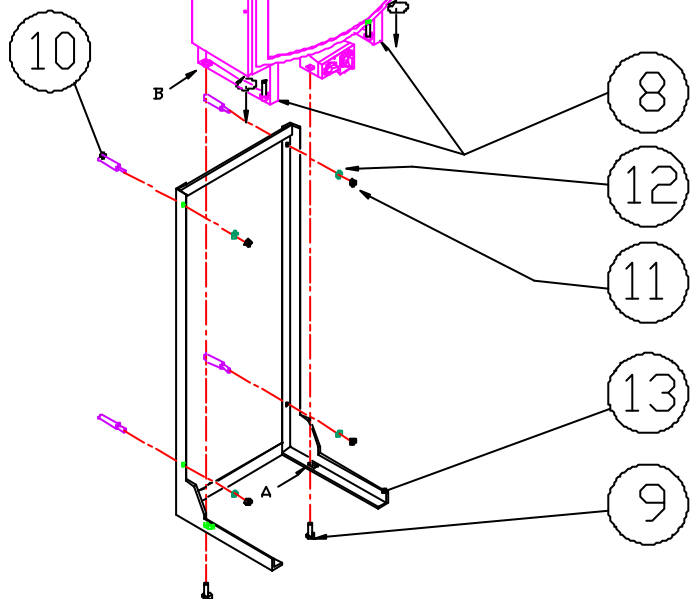
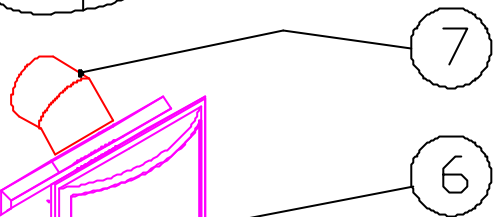
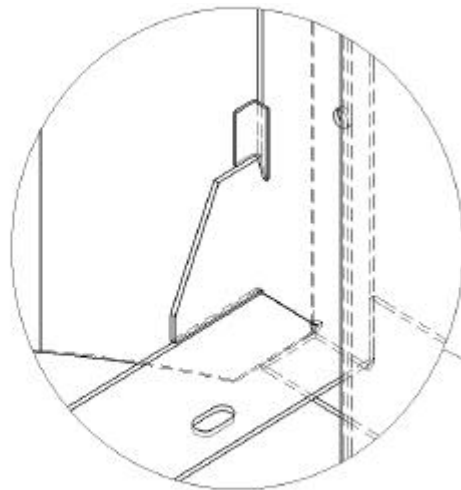
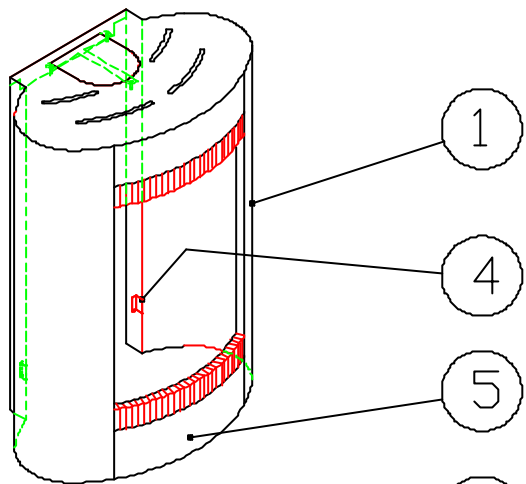
The mantel can be cleaned using a soft, moist cloth. The unit must be switched off immediately if something has been spilled on the fire. Once the fire has cooled down, the stains can be removed using soapy water with soft soap. **Never use an abrasive cleaner!** Any deposit on the thermal glass can be removed using a thermal glass cleaning product.

We wish you many warm days and nights!

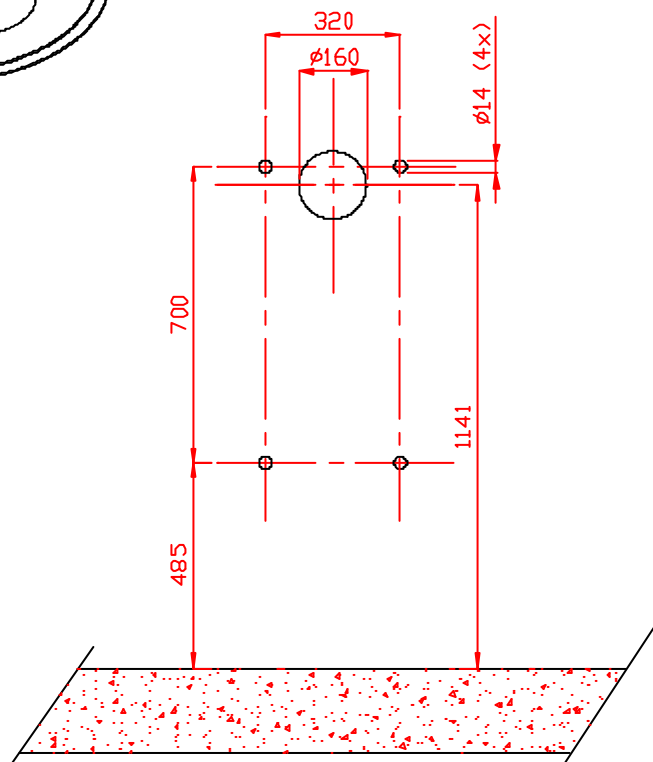
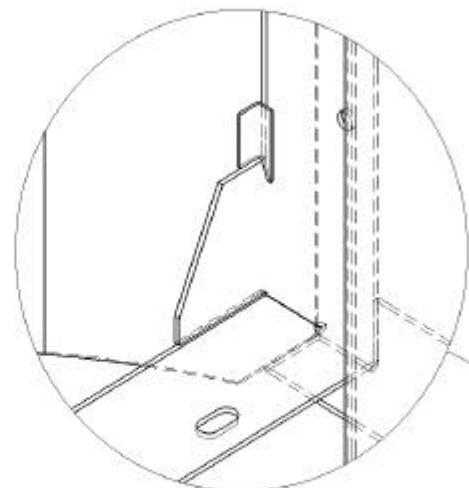
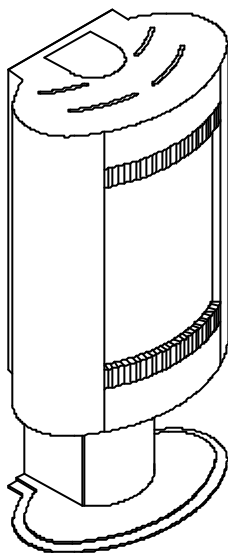
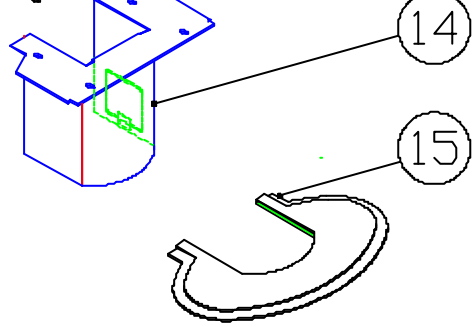
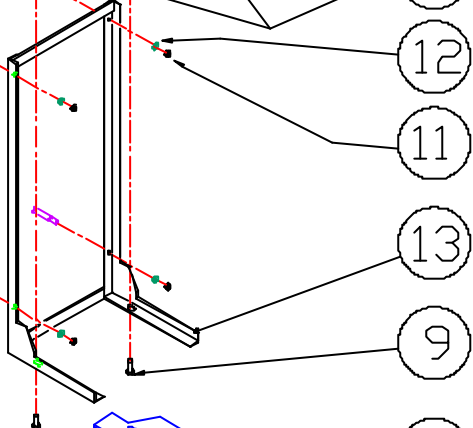
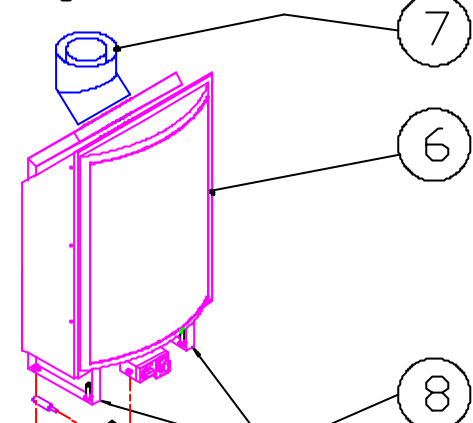
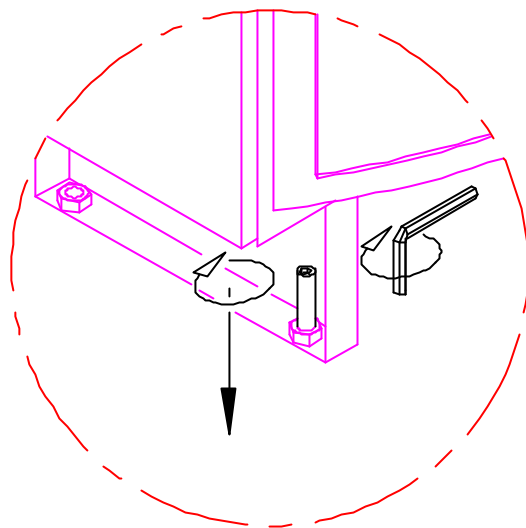
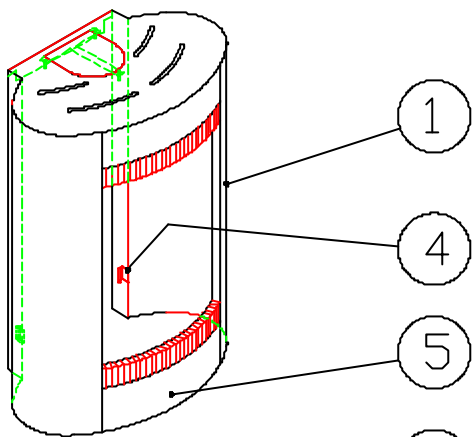
1. Sueno mantel
2. Top exhaust closing plate
3. Closing plate check nuts (3x)
4. Mantel safety plate
5. Mantel valve
6. Hi-Fire base unit
7. 45° concentric bend
8. M10 x 20 set bolts (2x)
9. M10 x 30 fastening bolts (2x)
10. M8 cotter bolts (4x)
11. Cotter bolt washers
12. Cotter bolt nuts
13. Wall bracket
14. Plinth
15. Floor slab
16. Decorative flue
17. Ornamental flue slide-in section



1



2



3

