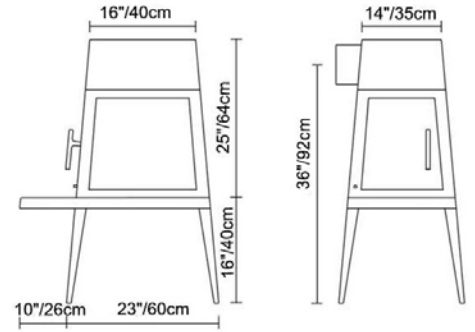


# Shaker Model Options and Specifications



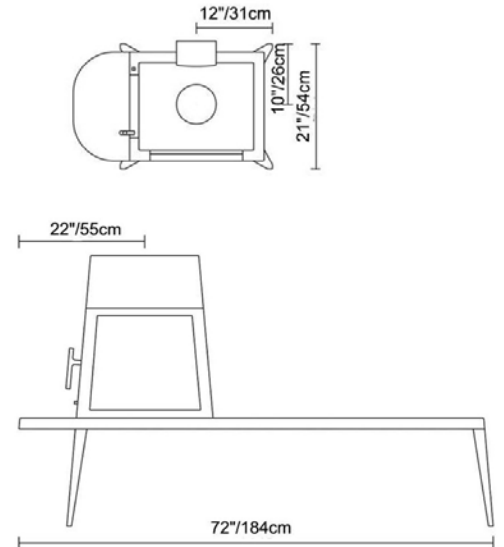
Shaker Short Left

Shaker Short Right



Shaker Long Left

Shaker Long Right



Technical Specifications		
Material	Steel	
Color	Black	
Optimal heat output	20,000BTU	6kW
Heat output range	10kBTU-23kBTU	3kW-7kW
Flue size	6"	15cm
Venting	Top or Back	
Outside Air	Available	
Weight	250lb	112kg
Firebox: height/width/depth	14/16/12"	35/40/30cm

**WITTUS**  
FIRE BY DESIGN

[www.wittus.com](http://www.wittus.com)