

INSTALLATION AND OPERATION INSTRUCTIONS



Catalytic Vent - Free Wall-Mounted Fireplace

Model: Scandium-NG

P/N 850,055M Rev. NC, 04/2007



Installer: Leave This Manual With The Appliance.
Consumer: Retain This Manual For Future Reference.

In the Commonwealth of Massachusetts:

- Installation must be performed by a licensed plumber or gas fitter
- See Table of Contents for location of additional Commonwealth of Massachusetts requirements

(Para Instrucciones en español, ver la página 15)



Scandium™



⚠ WARNINGS



• **Hot! Do not touch!** This appliance will be hot during operation and will retain heat for a while after shutting off the appliance. Severe burns may result.

• Carefully supervise children in the same room as appliance.

• Due to high temperatures, the appliance should be located out of traffic and away from furniture or draperies. Do not place clothing or other materials on or near this appliance.

• Improper installation, adjustment, alteration, service or maintenance can cause injury or property damage. Refer to this manual. For assistance or additional information consult a qualified installer, service agency or the gas supplier.

• Do not build a wood fire. Do not burn wood or other material in these appliances.

• This is an unvented gas-fired heater. It uses air (oxygen) from the room in which it is installed. Provisions for adequate combustion and ventilation air must be provided. Refer to Combustion and Ventilation Air Section.

• This appliance may be installed in an aftermarket, permanently located, manufactured (mobile) home, where not prohibited by local codes.

• The appliance is only for use with the type of gas indicated on the rating plate. This appliance is not convertible for use with other gases.

WARNING: If the information in this manual is not followed exactly, a fire or explosion may result causing property damage, personal injury or loss of life.

FOR YOUR SAFETY

Do not store or use gasoline or other flammable vapors or liquids in the vicinity of this or any other appliance.

WHAT TO DO IF YOU SMELL GAS:

- DO NOT light any appliance.
- DO NOT touch any electrical switches.
- Do not use any phone in your building.
- Immediately call your gas supplier from a neighbor's phone. Follow your gas supplier's instructions.
- If your gas supplier cannot be reached, call the fire department.

Installation and service must be performed by a qualified installer, service agency or the gas supplier.

TABLE OF CONTENTS

Section	Contents	Page No.
1.0	General Information	2
2.0	Packaging List	2
3.0	Appliance Data	2
4.0	Important Safety Information	2
5.0	Codes	4
6.0	Combustion and Ventilation Air	4
7.0	Site Requirements	4
8.0	Preparing the Appliance	5
9.0	Mounting the Appliance	5
10.0	Checking the Burner	6
11.0	Connecting a Gas Line	6
12.0	Checking the Gas Connections	7
13.0	Gas Pressure Check	7
14.0	Spark Gap	7
15.0	Assembly of the Glass Facia	7
16.0	Fitting the Glass Facia	8
17.0	Fitting the side panels	8
18.0	Briefing the customer	9
19.0	Servicing	9
20.0	Servicing the Burner	9
21.0	Pilot Assembly	10
22.0	Catalysts	10
23.0	Testing for Firebox Leakage	10
24.0	Cleaning	10
25.0	Lighting Instructions	11
26.0	To Turn off gas to Appliance	11
27.0	Troubleshooting Guide	12
28.0	Replacement Parts	12
29.0	Positioning of field assembled parts	13

1.0 GENERAL INFORMATION

This appliance is a high efficiency, unvented, flame effect gas heater. It provides radiant and convected warmth both efficiently and safely utilizing the latest type catalytic convertor burner technology. The appliance does not require a flue system of any type as the catalytic converter cleans the flue products to provide a complete combustion system, which is intrinsically safe.

These heaters are fitted with a specially designed pilot utilizing an oxygen depletion sensor (ODS) which responds to the amount of oxygen available in the room and shuts the heater off before the oxygen level drops below 18%. The pilot can be relit only when fresh air is available. Refer to the Combustion and Ventilation Air section.

The appliance is designed to fit various types of situations as listed in the Installation Requirements.

This appliance is factory set for operation on the gas type, and at the pressure stated on the appliance rating plate.

On first light up of a new appliance, initial curing of high temperature paint and burning off of lubricants may occur for the first few hours of operation. During this period some smoke may be emitted from outlet grille, this should be no cause for concern. Accordingly, the room should be well ventilated with all windows and doors open during this period.

Read all these instructions before commencing installation. All instructions must be handed to the user for safekeeping.



2.0 PACKAGING LIST

QUANTITY	DESCRIPTION
1	Firebox and burner assembly
1	Installation and operating instructions
1	Glass facia panel assembly
1	Fitting template
1	Screw and wall plug pack
1	Rubber grommet

3.0 APPLIANCE DATA

Gas Type	Natural Gas
Gas inlet pressure	Maximum 10.5" w.c.
	Minimum 6" w.c.
Regulator Pressure Setting	5" w.c.
Max Energy Input	11,950 BTU/hr
Min Energy Input	6,820 BTU/hr
Pilot Energy Input	560 BTU/hour
Burner (Manifold) Pressure	High 2.4" w.c.
	Low 0.8" w.c.
Main burner flow restrictor	2.0mm (0.079")
Oxypilot	SIT/Bray 9082
Gas Inlet Connection	3/8" NPT at regulator
Ignition	Piezo spark
Spark Gap	1/8" - 3/16"

Please see Data Plate affixed to appliance for current data.

This appliance is for use only with the gas type, and at the pressure stated on the appliance Data Plate.

4.0 IMPORTANT SAFETY INFORMATION



READ AND UNDERSTAND THESE INSTRUCTIONS COMPLETELY BEFORE INSTALLING OR OPERATING YOUR UNVENTED ROOM HEATER.

THE FOLLOWING BOXED INFORMATION APPLIES TO REQUIREMENTS FOR THE COMMONWEALTH OF MASSACHUSETTS.

Note: The following requirements reference various Massachusetts and national codes not contained in this document.

Unvented Room Heaters shall be installed in accordance with 527 CMR 30.00 and 248 CMR 3.00 through 7.00:

(a) Permits and Inspections: In addition to complying with 248 CMR 3.05 the following requirements must be satisfied:

1. A permit shall be obtained from the head of the fire department and the local or state gas inspector having jurisdiction for the installation of all unvented propane or natural gas-fired space/room heaters.

2. The permits shall be conditioned upon final inspection and approval of installation by the head of the fire department and the local or state gas inspector having jurisdiction.

3. A copy of the manufacturer's installation/operating literature shall be submitted with each permit application.

4. Before operation, the Head of the Fire Department and the local or state gas inspector shall inspect the installation for compliance with 527 CMR (Board of Fire Prevention Regulations) and 248 CMR (Board of State Examiners of Plumbers and Gas Fitters).

4.0 IMPORTANT SAFETY INFORMATION (continued)

THE FOLLOWING BOXED INFORMATION APPLIES TO REQUIREMENTS FOR THE COMMONWEALTH OF MASSACHUSETTS.

5. A final inspection by the state or local gas inspector of the unvented space/room heater shall not be performed until proof is provided that the head of the fire department having jurisdiction has granted a permit.

(b) Unvented natural gas-fired space/room heaters shall conform to ANSI Z21.11.2, be equipped with an oxygen depletion safety (ODS) shutoff system and be Product-approved in accordance with 248 CMR.

(c) Unvented natural gas-fired space/room heaters shall be installed in accordance with their listings and the manufacturer's instructions. Proper clearances to combustibles shall be maintained. In no case shall the clearances be such as to interfere with combustion air and accessibility.

(d) Installations shall be of a permanent type, with a permanently piped fuel supply in accordance with 248 CMR. LPG appliances shall be subject to the storage requirements in accordance with 527 CMR 6.00. Portable unvented or natural gas-fired space/room heaters shall be prohibited.

(e) Unvented natural gas-fired space/room heaters shall be prohibited in bedrooms and bathrooms.

(f) Space/room heaters shall be properly sized for the room or space of installation, but shall not exceed a maximum of 40,000 BTU input per room or space.

(g) In occupancies with an unvented natural gas-fired space/room heater, no less than one listed carbon monoxide detector that is installed in accordance with the manufacturer's instructions shall be installed and maintained near the space where the heater is located.

1. Any building wherein the heater is to be installed shall, as a precondition to such installation, have working smoke detectors installed and maintained in accordance with the requirements of 780 CMR (State Board of Building Regulations and Standards) in effect at the time of construction or;

2. If no requirement was in effect at the time of construction the smoke detector shall be compliant and installed as provided for in M.G.L. c. 148, § 26E.

(h) In rooms and buildings served by an unvented natural gas-fired space/room heater, a primary source of heat, which is operable, shall be permanently installed and maintained in the building in accordance with 105 CMR (Department of Public Health).

(i) Sellers of unvented natural gas-fired space/room heaters shall provide to each purchaser a copy of 527 CMR 30.00 upon sale of the unit.

- Installation and repair must be done by a plumber or gas fitter licensed in the Commonwealth of Massachusetts.

- The flexible gas line connector used shall not exceed 36 inches (92 centimeters) in length.

- The individual manual shut-off must be a T-handle type valve.

New York : This appliance is approved for installation in the U.S. state of New York, but not New York City.



WARNING

FAILURE TO KEEP THE PRIMARY AIR OPENING(S) OF THE BURNER(S) CLEAN MAY RESULT IN SOOTING AND PROPERTY DAMAGE.



WARNING

FAILURE TO COMPLY WITH THE INSTALLATION AND OPERATING INSTRUCTIONS PROVIDED IN THIS DOCUMENT WILL RESULT IN AN IMPROPERLY INSTALLED AND OPERATING APPLIANCE, VOIDING ITS WARRANTY. ANY CHANGE TO THIS APPLIANCE AND/OR ITS OPERATING CONTROLS IS DANGEROUS. IMPROPER INSTALLATION OR USE OF THIS APPLIANCE CAN CAUSE SERIOUS INJURY OR DEATH FROM FIRE, BURNS, EXPLOSION OR CARBON MONOXIDE POISONING.

- Children and adults should be alerted to the hazard of high surface temperature and should stay away to avoid burns or clothing ignition.

- Young children should be carefully supervised when they are in the same room with the heater.

- Do not place clothing or other flammable material on or near the heater.

- Any safety screen or guard removed for servicing the heater must be replaced prior to operating the heater.

- Installation and repair should be done by a qualified service person. The heater should be inspected before use and at least annually by a professional service person. More frequent cleaning may be required due to excessive lint from carpeting, bedding material, etc. It is important that control compartments, burners and circulating air passageways of the heater be kept clean.

- Allow the heater to cool before servicing. Always shut off the gas to the heater while performing service work.

- The installation must conform with local codes or, in the absence of local codes with the National Fuel Gas Code, ANSI Z223.1.

- The heater and its individual shut-off valve must be disconnected from the gas supply piping system while performing any tests of the gas supply piping system at pressures in excess of 1/2 psig.

- The heater must be isolated from the gas supply piping system by closing its individual manual shut-off valve during any pressure testing of the gas supply piping system at test pressures equal to or less than 1/2 psig.

- Keep heater area clear and free from combustible materials, gasoline and other flammable vapors and liquids.

- Do not use this heater if any part has been under water. Immediately call a qualified service technician to inspect the room heater and to replace any part of the control system and any gas control which has been under water.

- Input ratings are shown in BTU per hour and are for elevations up to 4,500 feet. If these appliances are installed at elevations above 4,500 feet, nuisance pilot outages may occur. Do not install this heater at an elevation above 4,500 feet if the gas supply has not been derated for that elevation. Consult your local gas supplier.

- Ensure that the heater is clean when operating. Excessive dust accumulation on the burner will increase the amount of carbon monoxide formation and could lead to carbon monoxide poisoning and/or death.

- Vent-free gas fireplaces are designed for use as a supplemental heaters. They are not intended for continuous use as a primary source.



WARNING

CHECK GAS TYPE : THE GAS SUPPLY MUST BE THE SAME AS STATED ON THE APPLIANCE'S RATING PLATE. IF THE GAS SUPPLY IS DIFFERENT DO NOT INSTALL THE APPLIANCE. CONTACT YOUR DEALER FOR THE CORRECT MODEL.

5.0 CODES

Adhere to all local codes or in their absence the latest edition of The National Fuel Gas Code ANSI Z223.1 or NFPA54 which can be obtained from The American National Standards Institute, Inc. (1430 Broadway, New York, NY, 10018) or National Fire Protection Association, Inc. (Batterymarch Park, Quincy, MA, 02269).

Seller of unvented natural gas fired supplemental room heaters in the commonwealth of Massachusetts shall provide to each purchaser a copy of 527 CMR 30 upon sale of the unit. Please refer to section 4.0 on page 2 of this manual.

This Lennox Hearth Products unvented gas room heater is certified by OMNI-Test Laboratories, Inc to ANSI Z21.11.2-2007 standard.

6.0 COMBUSTION AND VENTILATION AIR

This heater shall not be installed in a confined space or unusually tight construction unless provisions are provided for adequate combustion and ventilation air.

The *National Fuel Gas Code, ANSI Z223.1/NFPA 54* defines a confined space as a space whose volume is less than 50 ft³ per 1,000 BTU/Hr (4.8 m³ per kW) of the aggregate input rating of all appliances installed in that space and an unconfined space as a space whose volume is not less than 50 ft³ per 1,000 BTU/Hr (4.8 m³ per kW) of the aggregate input rating of all appliances installed in that space.

Rooms communicating directly with the space in which the appliances are installed, through openings not furnished with doors, are considered a part of the unconfined space.

Unusually tight construction is defined as construction where:

a. wall and ceilings exposed to the outside atmosphere have a continuous water vapor retarder with a rating of one perm or less with openings gasketed or sealed, and

b. weather stripping has been added on operable windows and doors, and

c. caulking or sealants are applied to areas such as joints around window and door frames, between sole plates and floors, between wall/ceiling joints, between wall panels, at penetrations for plumbing, electrical, and gas lines, and at other openings.

Use the following equations to determine if you have a confined or unconfined space.

1. Determine the volume of space — ft³.

Length x Width x Height = _____ ft³
(Include adjoining rooms with doorless passageways or ventilation grills between rooms.)

Example: 24' (L) x 16' (W) x 8' (H) = 3072 ft³

2. Divide the volume of space by 50 ft³ to determine the maximum BTU/Hr the space can support.

_____ (volume of space – ft³) / 50 ft³ =
(Maximum BTU/Hr the space can support)

Example: 3072 ft³ / 50 ft³ = 61.44
or 61,440 BTU/Hr the space can support.

3. Add the BTU/Hr of all the fuel burning appliances in the space.

Vent-Free heater	_____	BTU/Hr
Gas appliance #1*	_____	BTU/Hr
Gas appliance #2 +	_____	BTU/Hr
Gas appliance #3 +	_____	BTU/Hr
Total =	_____	BTU/Hr

Example:

Vent-free heater #1	9,000	BTU/Hr
Vent-free heater #2	23,000	BTU/Hr
Gas appliance #1 (water heater)	35,000	BTU/Hr
Total =	67,000	BTU/Hr

* Do not include direct-vent gas appliances. Direct-vent is sealed combustion and draws combustion air from the outdoors.

4. Compare the maximum BTU/Hr the space can support with the actual amount of BTU/Hr used.

_____ BTU/Hr (max. the space can support)

_____ BTU/Hr (actual amount of BTU/Hr used)

Example:

61,440	BTU/Hr (max. the space can support)
67,000	BTU/Hr (actual amount of BTU/Hr used)

The space in the previous example is a confined space because the actual BTU/Hr used is more than the maximum BTU/Hr the space can support. You must provide additional fresh air. Your options are:

a. Rework equations adding the space of adjoining room(s). If the extra volume provides an unconfined space, then remove door or add ventilation grills between rooms. Refer to National Fuel Gas Code, ANSI Z223.1, Section 5.3.

b. Vent room directly to the outdoors. Refer to National Fuel Gas Code, ANSI Z223.1, Section 5.3.

c. Install a lower BTU/Hr heater, to make the area an unconfined space.

If the actual BTU/Hr used is less than the maximum BTU/Hr the space can support, then the space is an unconfined space. You will need no additional fresh air ventilation for an unconfined space.

7.0 SITE REQUIREMENTS

This appliance is designed to be wall-hung. Do not recess any part of the appliance into the wall. This appliance may be installed in any room in a home except bedrooms or bathrooms - or areas where large amounts of steam are likely to be generated.

It should be noted that heaters create warm air currents. These currents move heat to wall surfaces next to the heater. Installing the heater next to vinyl or cloth wall coverings or operating the heater where impurities in the air (such as tobacco smoke or candle smoke) exist, may discolour walls.

Installation in living rooms is common, however other rooms such as kitchens, dining rooms and hallways are permitted, providing a suitable natural gas supply is available, and rooms sizing and ventilation requirements are strictly adhered to (see section 4).

The appliance is designed to be versatile, and as such will operate correctly when exposed to normal gentle drafts experienced within the home. It is not recommended, however that the appliance be installed in areas where it is likely to be exposed to persistent strong drafts, that may be generated by outside doors or windows, air vents etc. It is recommended that the appliance should not be installed within 20" of any air vent.

WARNING

IF THE AREA IN WHICH THE HEATER MAY BE OPERATED IS SMALLER THAN THAT DEFINED AS AN UNCONFINED SPACE OR IF THE BUILDING IS OF UNUSUALLY TIGHT CONSTRUCTION, PROVIDE ADEQUATE COMBUSTION AND VENTILATION AIR BY ONE OF THE METHODS DESCRIBED IN THE NATIONAL FUEL GAS CODE, ANSI Z223.1/NFPA 54, SECTION 5.3 OR APPLICABLE LOCAL CODES.

7.0 SITE REQUIREMENTS (continued)

Clearances to non-combustibles

Non-combustible surfaces are defined as brick, metal, marble, concrete etc. and also a number of man-made materials impervious to flame. If in doubt refer to the material manufacturer for further information before proceeding with installation.

Clearances to the sides of the appliance are 4". Clearance to the front of the appliance is 20".

The back of the appliance may be installed directly onto a non-combustible wall, providing the area behind the appliance is flat and does not interfere with the various vent holes in the back panel of the appliance.

The appliance may be installed with or without a non-combustible hearth. If a hearth is fitted, the size and design may be as desired.

A non-combustible shelf of any depth may be positioned above the appliance provided it is no closer than 16" from the top of the appliance glass panel and the wall above the appliance is non combustible.

Clearances to combustible materials

Combustible materials are defined as wood, fabrics, or other materials likely to combust if exposed to flame. Generally, any material, which is likely to discolour, melt or misshape when exposed to moderate heat, should be considered as a combustible material or surface.

Clearance to the sides of the appliance are 4" but curtains, drapes and other fabrics are not permitted within a distance of 20" of the appliance sides. No such materials are permitted directly above the appliance regardless of distance.

The minimum clearance to the ceiling above the appliance is 32" measured from the top of the appliance glass panel.

Combustible materials should not be positioned directly in front of the appliance within a distance of 40".

Under no circumstances should any electrical equipment e.g. plasma screen TV sets etc. be positioned on the wall above the appliance. The appliance is designed to be wall mounted alone and not in conjunction with any type of combustible fire surround.

No combustible shelves should be positioned on the wall above the appliance.

It should be established that any mirrors or picture frames etc. to be positioned on the wall above the appliance are able to withstand prolonged exposure to moderate heat and moisture before proceeding with their installation.

The back of the appliance may be installed directly onto a combustible wall, providing it is flat and does not interfere with the various vent holes in the back panel of the appliance. The wall must be structurally sound and constructed from a material capable of withstanding moderate heat. Finished plaster, conventional wall paper and dry-lined plasterboard are examples of suitable materials. Materials such as flock, blown vinyl and embossed paper which are sensitive to even small amounts of heat should be avoided as scorching and or discoloration may occur over time.

If the appliance is to be mounted on a dry-lined wall or a timber framed construction wall then the integrity and ability of the wall to carry the weight of the appliance must be confirmed. It is important in these circumstances that any vapor control barrier is not damaged, and that any structural members of the house frame are not damaged.

The appliance may be positioned as close to a solid floor (i.e. stone, wooden laminate etc.) as the particular design of fire frame permits, however it is not permitted to install the appliance within 4" of carpet, rugs or fabric materials of any kind. This dimension is measured vertically to the bottom of the appliance frame.

! WARNING

DO NOT USE A BLOWER INSERT, HEAT EXCHANGER INSERT OR OTHER ACCESSORY NOT APPROVED FOR USE WITH THIS HEATER.

8.0 PREPARING THE APPLIANCE

Gas connection :The heater gas inlet connection is 3/8" NPT at the regulator, located below the burner, in the center of the heater.

There are four possible entry points for the gas supply pipework to enter the appliance firebox. These entry points are 'knock out' type holes (shown in figure 1).

Non-concealed gas connections may be made using the entry points on the base of the firebox. A concealed gas connection may be made using the knock out hole in the centre back of the firebox.

Select the most appropriate entry point and knock out the relevant hole. If a concealed gas connection is to be made, the supply pipe should always be sleeved through walls and floors using the shortest possible route.

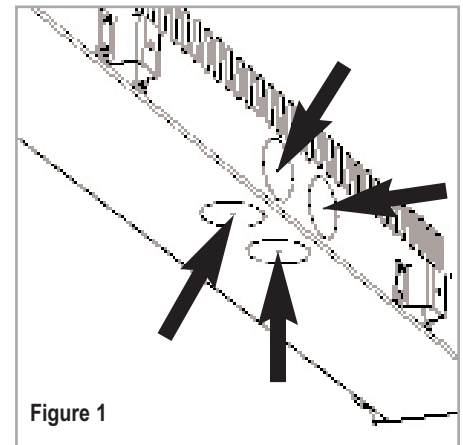


Figure 1

For concealed supply pipe routing, pipes must (where possible) be vertical and providing there is sufficient wall thickness available, they should be placed in pipe chases. Horizontal pipe runs should be avoided where possible. Prior to chasing a solid wall, an inspection should be made to note the proximity of any cables/sockets outlets which may already be buried. Pipes must be secured using suitable clips and protected against corrosion. Ideally factory finished protected pipework and fittings should be used. Joints should be kept to a minimum and compression fittings must not be used. The pipework installation must be tested for soundness before any protection is applied and/or the pipework and fittings are buried.

9.0 MOUNTING THE APPLIANCE

After having selected the final mounting position of the appliance, taking into account the site requirements as specified in section 7 of these instructions, the integrity of the wall, and the feasibility of the proposed supply pipe routing, the firebox of appliance may be secured to the wall.

! WARNING

DO NOT ALLOW ANY FANS TO BLOW DIRECTLY INTO THE FIREPLACE. AVOID ANY DRAFTS THAT ALTER BURNER FLAME PATTERNS.

9.0 MOUNTING THE APPLIANCE (continued)

! WARNING

THE WALL WHERE THE APPLIANCE IS TO BE INSTALLED MUST BE CAPABLE OF LONG-TERM SUPPORT OF THE TOTAL LOAD OF THE APPLIANCE. MEASURES SHOULD ALSO BE TAKEN TO ENSURE SUFFICIENT STRENGTH TO WITHSTAND THE FORCE OF EARTHQUAKES, VIBRATION AND OTHER EXTERNAL FORCES.

To ensure customer safety, be sure to design the installation so that the strength of both the wall and any wall fixings used are sufficient. Lennox Hearth Products assumes absolutely no responsibility for injuries and damages that may occur due to improper installation or handling.

The appliance should not be installed until all dry wall sanding and wall painting has been completed.

Incorrect installation can cause the appliance to fall from the wall and cause injury. Do not block the ventilation holes of the appliance. The wall onto which the appliance is installed must be flat. Install only on a vertical surface. Avoid sloped surfaces. Installation onto anything other than a vertical wall may result in fire, damage or injury.

A full size fitting template is supplied to assist with wall mounting.

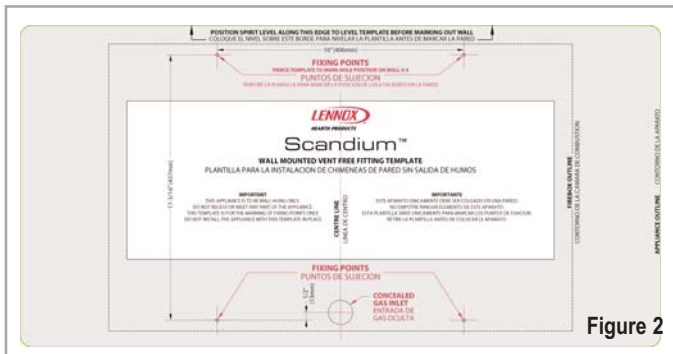


Figure 2

Mark the positions shown as "Fixing Points" on the wall. If the appliance is to be mounted on the inner leaf of a conventional cavity wall, or a solid wall, drill four holes using a 1/4" masonry bit. Insert the fiber wall plugs provided.

If the appliance is to be mounted on a dry lined wall or a timber framed construction wall then special cavity screw fixings will be required which are not supplied with this product. These should be constructed from metal and not plastic.

If a concealed gas connection is to be made ensure the gas supply pipe is in its final position and can enter the appliance in the correct position when the appliance is hung on the wall.

Insert the wall mounting screws into the top wall plugs, taking care to leave the screws protruding approximately 3/8" from the wall. Now hang the appliance onto these screws through the two keyhole shaped holes in the back panel of the appliance.

Insert the lower mounting screws into the lower wall plugs through the corresponding depressed holes in the lower part of the back panel. Do not tighten fully.

Before tightening the wall mounting screws fully, at this stage it is recommended to check the horizontal alignment of the appliance with a spirit level, as small adjustments can still be made if necessary. When this has been checked, tighten all four fixing screws fully.

To access the upper fixing screws insert a screwdriver through the holes in the deflector plates above the catalyst as shown in figure 3.

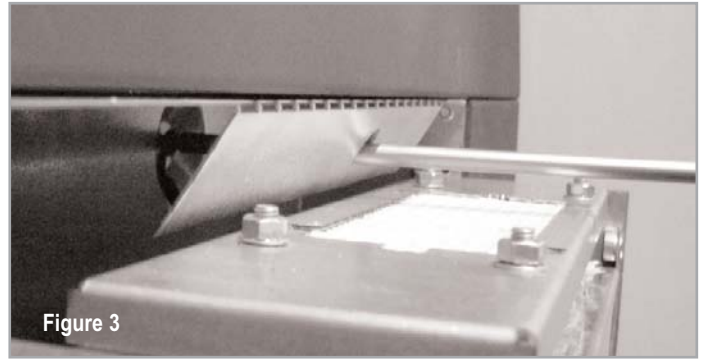


Figure 3

10.0 CHECKING THE BURNER

There are no imitation fuel bed components to install. The appliance features a ribbon burner which is designed to produce a continuous band of flame over its length. The burner should be visually inspected to ensure it is free from any foreign matter. If it is necessary to clean or dust off the burner then the glass door should be removed by removal of the four retaining screws. Re-fit the glass door after cleaning or inspection, ensuring a good seal.

11.0 CONNECTING A GAS LINE

! IMPORTANT

HOLD HEATER REGULATOR WITH A WRENCH TO PREVENT MOVEMENT WHEN CONNECTING TO INLET PIPING.

A qualified gas appliance installer must connect the gas room heater to the gas supply. Consult all local codes. The installer must provide an ANSI approved manual shut off valve, flex connector and 3/8" NPT fitting.

Route gas line using techniques and materials prescribed by local and/or national codes. Only use pipe of 1/2" or greater size to allow full gas volume to the gas fireplace. Undue pressure loss will occur if the pipe is too small. An ANSI approved manual shut-off valve and union must be installed upstream of the heater within the fireplace cavity when rigid pipe is used. Ensure that a sediment trap is installed upstream of the heater (figure 4) within the structure's piping system to prevent moisture and contaminants from passing through the pipe to the heater controls and burner. Failure to do so could prevent the heater from operating reliably. The heater gas inlet connection is 3/8" NPT at the regulator, located below the burner, in the right hand side of the heater. When tightening up the joint to the regulator hold the regulator securely with a wrench to prevent the regulator from moving.

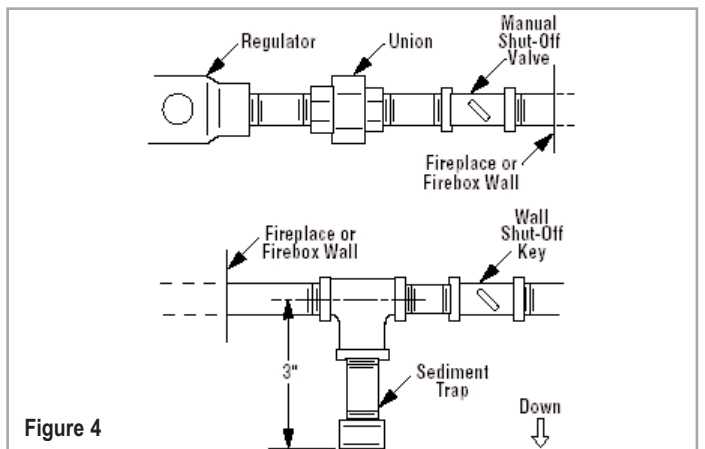


Figure 4

12.0 CHECKING THE GAS CONNECTIONS

Turn on gas supply and test for gas leaks using a gas leak test solution (also referred to as bubble leak solution).

NOTE: using a soapy water solution (50% dish soap, 50% water) is an effective leak test solution, but it is not recommended, because the soap residue that is left on the pipes/fittings can result in corrosion over time.

A. Light the appliance (refer to the lighting instructions label in the control compartment or on page 11).

B. Brush all joints and connections with the gas leak test solution to check for leaks. If bubbles are formed, or gas odor is detected, turn the gas control knob (off/pilot/on) to the "OFF" position. Either tighten or refasten the leaking connection, then retest as described above.

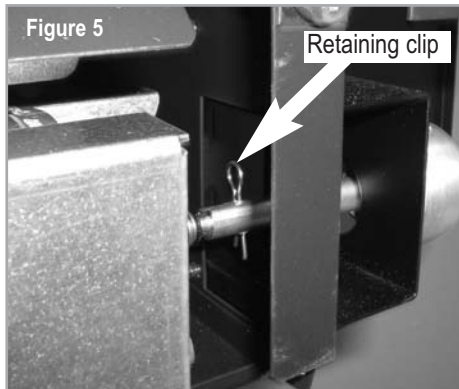
C. When the gas lines are tested and leak free, be sure to rinse off the leak testing solution.

D. Observe the individual tongues of flame on the burner. Make sure all ports are open and producing flame evenly across the burner. If any ports are blocked, or partially blocked, clean out the ports.

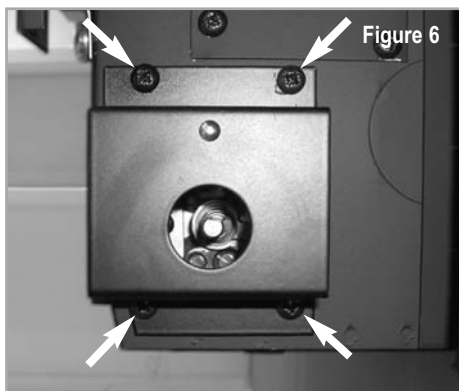
13.0 GAS PRESSURE CHECK

The pressure should be checked with the gas heater burning and the control set to high flame.

The pressure test points are located on the gas valve. To access the valve and the test points, firstly remove the control knob spindle from the valve spindle by removing the retaining clip shown in figure 5.

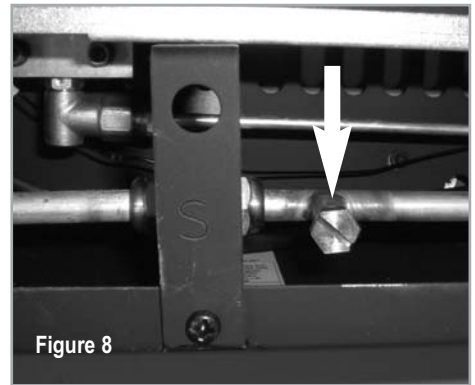
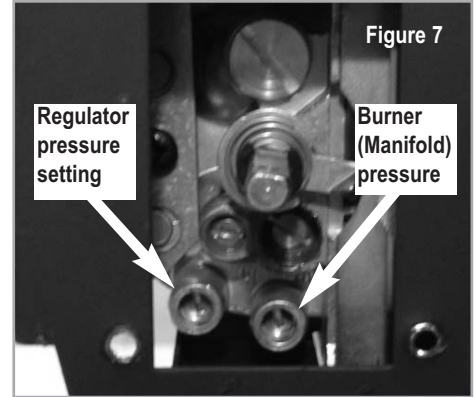


Withdraw the control knob and spindle from the heater, remove the gas valve cover plate by removing the four retaining screws indicated in figure 6.



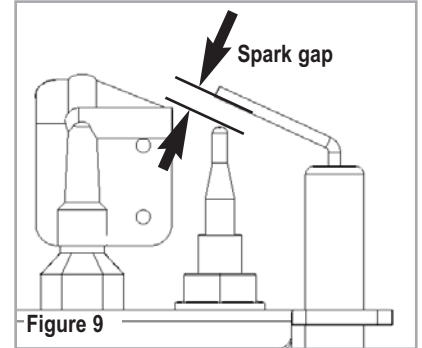
The pressure test points are located as shown in figure 7. An alternative burner (mainfold test point is located below the left hand side of the burner as shown in figure 8.

The pressure regulator on manual models is preset and locked to avoid tampering. If the pressure is not as specified in the Appliance Data section on page 2, replace the regulator with P/N H6063. Replace the test point screws after pressure measurement ensuring no gas leaks. All instructions must be handed to the user for safekeeping.



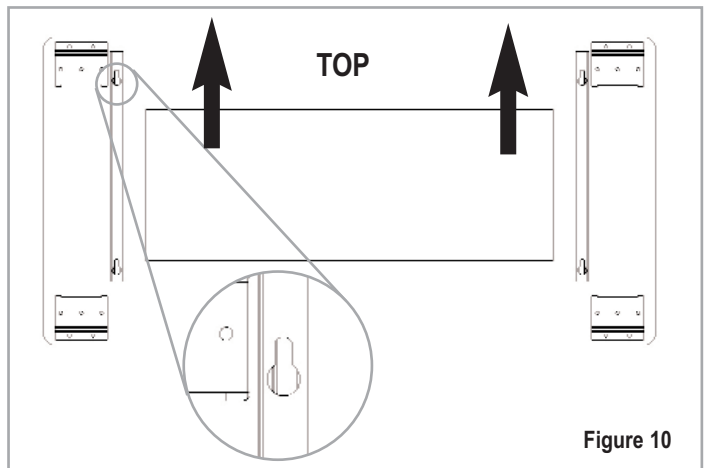
14.0 SPARK GAP

The gap between the spark electrode and the pilot should be 1/8" to 3/16" to produce a good spark. There should be no need to adjust this. If under any circumstances the piezo electric spark fails, the pilot cannot be lit manually.



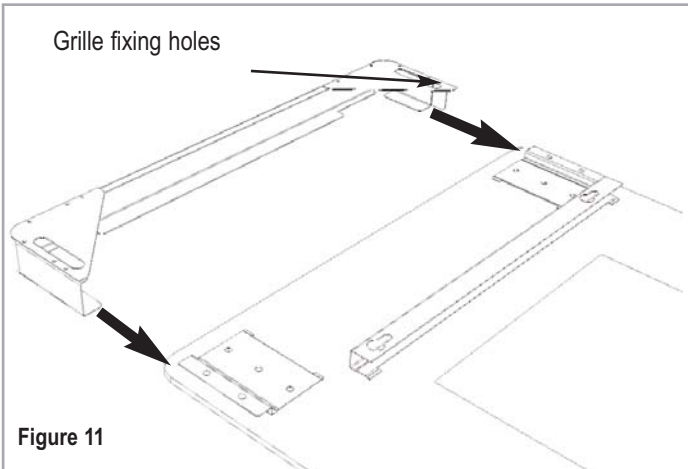
15.0 ASSEMBLY OF THE GLASS FACIA

1. Remove the glass panel from all packaging and lay face down on a soft surface. Identify the top and bottom of the glass facia by observing the orientation of the keyhole shaped slots in the facia fixing brackets as shown in figure 10.

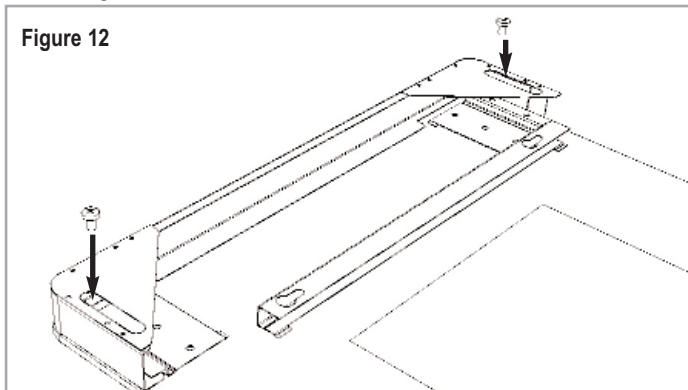


15.0 ASSEMBLY OF THE GLASS FACIA - (continued)

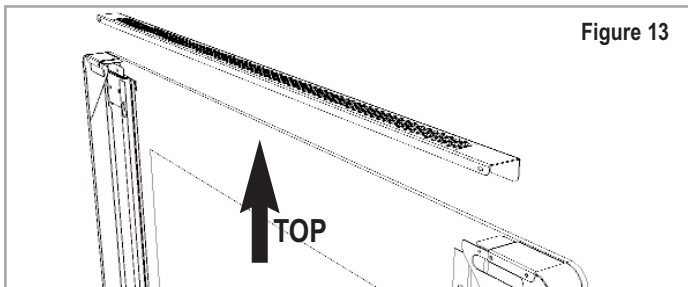
2. Slide on the side pieces ensuring that the grille fixing holes (shown) are aligned towards the top of the glass facia (as shown in figure 11).



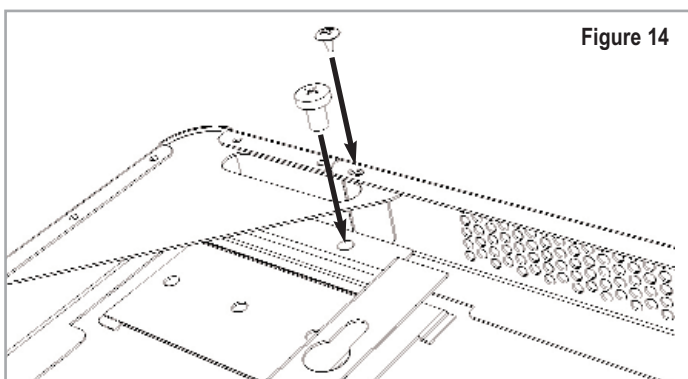
3. Ensure the sides are neatly aligned with the glass and secure the sides using two M6 screws for each side as shown in figure 12. Do not overtighten the screws.



4. Position the grille within the two side pieces ensuring a neat fit.

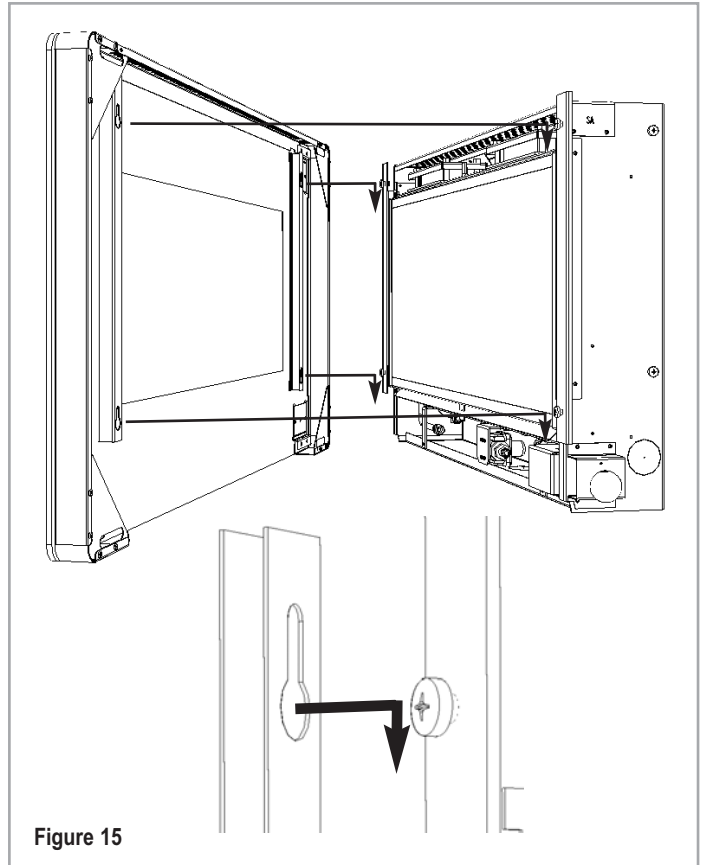


5. Secure the grille in position using two M6 screws and two no. 8 self tapping screws as shown in figure 14.



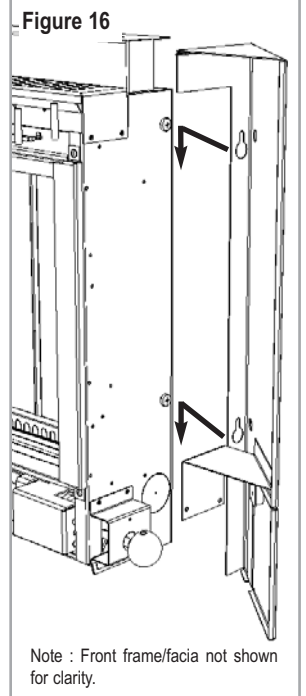
16.0 FITTING THE GLASS FACIA

The glass facia panel is supported by four M6 screws which protrude from the front of the outer casing. Insert the M6 retaining screws and ensure they are unscrewed approximately 1/8" so the keyhole shaped holes may engage, and the facia can be hooked on. Ensuring that the corresponding keyhole shaped holes engage the screwheads fully. Refer to figure 15.



17.0 FITTING THE SIDE PANELS

Remove the two side panel assemblies from the protective packaging and fit onto the sides of the firebox as shown. Insert the M6 retaining screws in the sides of the firebox and ensure they are unscrewed approximately 1/8" so the keyhole shaped holes may engage, and the sides can be hooked on.



17.0 FITTING THE SIDE PANELS (continued)

Insert a screwdriver through the holes in the right hand side panel to access the two M6 fixing screws (designated 'a' in figure 17) and tighten fully. Next insert two no.8 self tapping screws (designated 'b' in figure 17) through the side panel support bracket, and the corresponding holes in the side of the firebox. Tighten fully.

Repeat for the left hand side panel, which is secured by tightening the M6 'a' screws only.

The right-hand side panel has a hinged flap to allow access to the control knob.

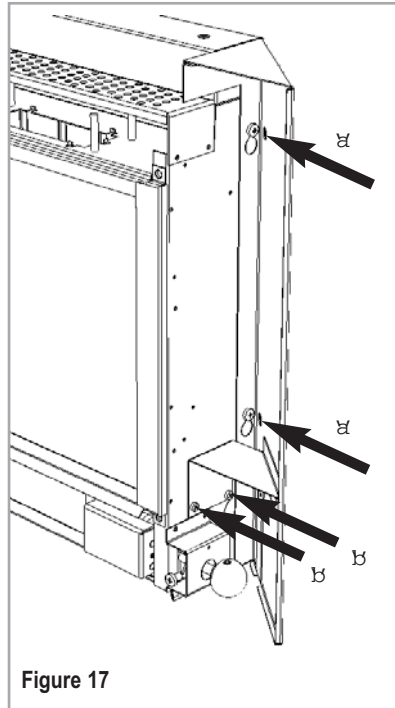


Figure 17

18.0 BRIEFING THE CUSTOMER



WARNING

DO NOT ADD LOGS OR ORNAMENTS SUCH AS PINE CONES, VERMICULITE OR ROCK WOOL. USING THESE ADDED ITEMS CAN CAUSE SOOTING.

After commissioning the appliance, the customer should be instructed on the safe use of the appliance and the need for regular servicing. Frequency of service depends on usage, but **MUST** be carried out at least once annually.

Advise that cleaning of the fireplace may be achieved when the fireplace is cold using a damp cloth and mild detergent on most surfaces.

Advise that the fireplace will emit an odor for a time after initial commissioning and that extra ventilation may be needed during this time. A periodic visual check of the pilot flame and the burner flame should be carried out. (Refer to figure 22).

19.0 SERVICING

A suggested procedure for servicing is detailed as follows;

Turn off the fireplace at the the gas supply. Ensure that the fireplace is fully cold before attempting service.

1. Lay out the dustsheet and tools.
2. Remove the front glass facia as described in section 16.0, only in reverse.
3. Remove the glass door assembly (5 screws) and clean carefully. Remove the valve cover plate (4 screws).

4. Inspect the burner and the catalysts and clean if necessary with a soft brush.
5. Disconnect the gas supply.
6. Undo the four screws retaining the burner support brackets to the base and rear of the firebox.
7. Remove the burner unit, strip off the burner pipes and clean thoroughly.
8. Clean the in-line restrictor, pilot assembly and the burner tube. Do not attempt to remove the pilot injector as this can cause damage.
9. Re-assemble components.
10. Turn on the gas supply and leak test. Check pilot and burner for good ignition.
11. Refit the valve cover and retaining screws.
12. Refit the glass door assembly.
13. Refit the facia Refitting as described in section 15.0.
14. Check the purpose provided ventilation is unobstructed.
15. Light the fire and test setting pressures.
16. Check safe operation of the appliance.

For specific servicing instructions, see relevant sections.

20.0 SERVICING THE BURNER



WARNING

ANY CHANGE TO THIS HEATER OR ITS CONTROLS CAN BE DANGEROUS.

First, remove the front Glass facia as described in Section 16.0 only in reverse, remove the valve cover (4 screws) and disconnect the gas connection inside appliance. The gas connections to the gas valve can now be released. Undo the four screws retaining the burner brackets to the base and rear of the firebox. The burner may now be removed.

Remove the pilot and main burner pipes and blow through to dislodge any debris. Now remove the in line restrictor and blow through to make sure it is entirely clear.

Unclip the pilot lint gauze and clean with a soft brush. Clean the exterior of the pilot assembly with a soft brush and blow through the flame ports on the pilot head. Check the aeration holes are free from lint or dirt. The pilot assembly can be removed if required by disconnecting the electrode HT lead, gas pipe, thermocouple lead and unscrewing the mounting screws and lifting away. The pilot assembly is a non-serviceable item and should not be taken apart. Aeration holes must be absolutely clear internally for proper operation. **NEVER MODIFY OR BEND THE THERMOCOUPLE TO MAKE THE PILOT STAY ALIGHT.** Modifications are dangerous and can have serious unseen effects on safety. If the pilot will not stay lit there is a problem with dirt, the gas supply to it, or the thermocouple needs replacement.

The gas valve is a non-serviceable item. If this needs replacement, remove the cover plate then the securing screw holding the valve bracket in place, remove all pipe unions, and the complete valve. Replacement must be original manufacturers parts.

Re-assemble in the reverse of removal. Ensure setting pressures are as stated in Section 3; Appliance Data.

21.0 PILOT ASSEMBLY

WARNING

NO ADJUSTMENTS ARE TO BE MADE TO THE ODS PILOT SYSTEM. TAMPERING WITH THIS SYSTEM CAN BE EXTREMELY HAZARDOUS.

Remove the glass facia, glass panel and burner unit (as per servicing section), lint arrestor and pilot unit by using a screwdriver to remove the retaining screws. Clean the pilot assembly with a soft brush and blow through. Check the aeration holes are free of any dirt or lint. Clean thoroughly internally, the connection can be removed from the base of the pilot unit using two spanners to make cleaning easier. Do not damage or try to dismantle the pilot injector. The unit is factory set and the only check necessary is to ensure the spark gap is correct. See specifications for gas setting.

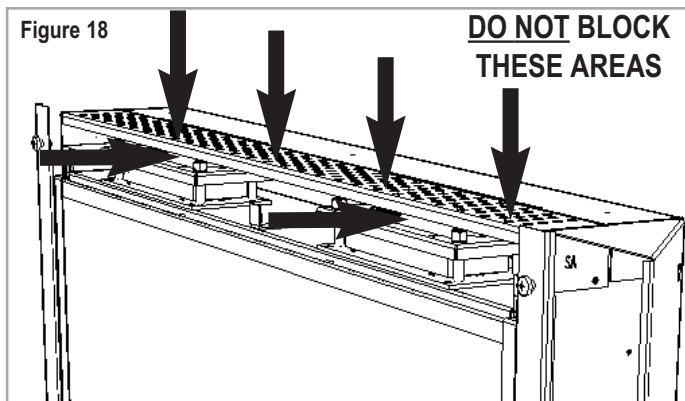
NEVER MODIFY OR BEND THE THERMOCOUPLE TO MAKE THE PILOT STAY ALIGHT. If the pilot will not stay lit there is a problem with dirt, the gas supply, or the thermocouple needs replacement. Modifications are dangerous and can have a serious unseen effect on safety and therefore MUST not be done. Replacements must be original manufacturers parts. Re-assemble in the reverse of removal. Ensure setting pressures are as stated in Section 3; Appliance Data. It is recommended that the catalysts are inspected for signs of damage and dirt during routine servicing procedures. The expected life of the

22.0 CATALYSTS

WARNING

DO NOT BLOCK THE CATALYSTS OR THE APPLIANCE OUTLET GRILLE. BLOCKAGE MAY CAUSE HIGH CARBON MONOXIDE LEVELS AND/OR BREAKAGE OF THE GLASS FACIA PANEL.

Figure 18



WARNING

DO NOT OPERATE THE APPLIANCE WITH THE CATALYST UNITS REMOVED.

catalysts is in excess of 11,000 hours (10 years of normal use). After this time the catalyst should be replaced. If there are any deposits of dirt or soot on the catalysts they should be cleaned with a soft brush and a vacuum cleaner. If removed for cleaning ensure the seals are in good condition before replacing the catalyst. New seals will usually be required.

The performance of the catalyst may be checked using a combustion gas analyzer as follows. *Important: The temperature of the gases*

emitted by the catalytic converters is in excess of 700 °F. Measuring gas of this temperature may damage some types of gas analyzers. If in doubt consult the equipment manufacturer.

Turn on the fireplace as per the operating instructions, and run at maximum setting for 15 minutes. Position gas sample probe directly over a catalyst via the outlet grille, on top of the appliance. Record the carbon dioxide (CO₂) concentration and then the carbon monoxide (CO) concentration as displayed by the analyzer - also noting the units in which the values are expressed. Most analyzers display carbon dioxide (CO₂) concentrations in percentage (%) terms and carbon monoxide concentration in parts per million (ppm) terms.

In order to calculate the combustion ratio for the appliance (CO/CO₂) it is first necessary to express both gas concentrations in terms of percentage. To convert from parts per million (ppm) to a percentage (%) divide the ppm figure by 10,000. Examples : 35ppm = 0.0035%, 15ppm = 0.0015%, 5ppm = 0.0005%.

Now divide the concentration of carbon monoxide (CO) expressed in percent by the concentration of carbon dioxide (CO₂) to obtain the appliance combustion ratio.

$$\frac{\text{CO (\%)}}{\text{CO}_2 (\%)} = \text{ratio}$$

The combustion ratio of the gasses emitted by the catalytic convertor should not exceed 0.0015. If replacing, firstly, remove the glass facia as described in section 15.0. The catalysts are located on the top of the internal firebox and can be removed by unscrewing the retaining nuts securing the clamping plate. Remove the catalysts and seals and discard. Refit a new catalysts and seals in reverse order, ensure the catalysts and door have good seals.

23.0 TESTING FOR FIREBOX LEAKAGE

Appliances that are several years old or have been extensively dismantled should be checked for soundness. It is important that all the products of combustion pass through the catalytic converters at the top of the firebox before leaving the appliance.

The firebox is heated by lighting for a few minutes to provide a flow through the firebox. The burner is then shut off and a smoke pellet or match introduced at the base of the fire underneath the burner tray. Large quantities of smoke will emerge from the top of the appliance, but none should emerge from the joints or gasket faces, especially around the door. It is important to note that the appliance can never be expected to be 100% smoke tight and small quantities of smoke may be seen in corners of joints and gasket faces etc without affecting safety when the fire is in operation.

24.0 CLEANING

WARNING

TURN OFF THE UNVENTED GAS ROOM HEATER AND ALLOW TO COOL BEFORE CLEANING.

GLASS PANEL - This can be cleaned with a suitable glass cleaner. The following solutions are approved for use to clean glass.

- Non-ammonia based household cleaner
- 50% -50% mix of white vinegar and water
- Gas fireplace/stove glass cleaner

Test on a small area first.

PAINTED AREAS - These can be cleaned using a dry cloth.

FINISHED METAL AREAS - These can either be cleaned using a proprietary metal cleaner or baby oil. Test on a small hidden part before cleaning. Always clean in the direction of the grain.

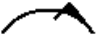
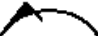
FOR YOUR SAFETY READ BEFORE LIGHTING

WARNING



IF YOU DO NOT FOLLOW THESE INSTRUCTIONS EXACTLY, A FIRE OR EXPLOSION MAY RESULT CAUSING PROPERTY DAMAGE, PERSONAL INJURY OR LOSS OF LIFE.



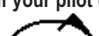
- A.** This heater has a pilot which must be lit by hand. When lighting the pilot, follow these instructions exactly.
- Immediately call your gas supplier from a neighbor's phone. Follow the gas supplier's instructions.
- B.** BEFORE OPERATING smell all around the heater area for gas. Be sure to smell next to the floor because some gas is heavier than air and will settle on the floor.
- If you cannot reach your gas supplier, call the fire department.
- WHAT TO DO IF YOU SMELL GAS**
- Do not try to light any appliance.
 - Do not touch any electric switch; do not use any phone in your building.
- C.** Use only your hand to push in or turn the gas control knob. Never use tools. If the knob will not push in or turn by hand, do not try to repair it, call a qualified service technician. Forced or attempted repair may result in a fire or explosion.
- D.** Do not use this heater if any part has been under water. Immediately call a qualified service technician to inspect the appliance and to replace any part of the control system and any gas control which has been under water.

25.0 LIGHTING INSTRUCTIONS

1. Stop! Read the safety information above.
2. Make sure manual shut-off valve is fully open.
3. Open the access panel.
4. Depress control knob in and turn clockwise  to the "OFF" position (Figure 19).
5. Wait 5 minutes to clear out any gas. Then smell for gas, including near the floor. If you smell gas, STOP! Follow the safety instructions in "What to do if you smell gas" under section 'B' above. If you do not smell gas, go to next step.
6. The pilot is located on the left side behind the burner (Figure 20).
7. Depress control knob in and turn counterclockwise  to the "SPARK" position (Figure 19) and hold there for a few seconds.

Note: If you are running the heater for the first time or after an extended period of non use it will be necessary to press the control knob all the way in for 30 seconds to allow air to bleed out of the gas piping.

8. Continue turning counterclockwise  through the spark click to the PILOT light position, ensuring the pilot has lit. If not, turn the knob fully clockwise, and repeat.
9. Hold the control knob in for a further 10 seconds to prevent the flame failure detector from shutting off the gas while the probe is warming up.
10. Release the control knob while turning counterclockwise  to the preferred setting. Close the control access panel.

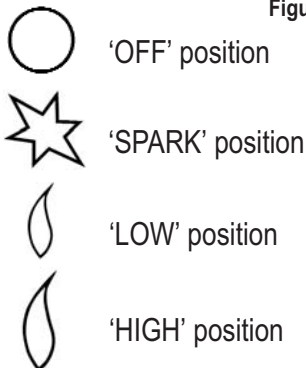
 - If the knob does not pop out when released, stop and immediately call your service technician or gas supplier.
 - If the pilot will not stay lit after several tries, depress and turn the gas control knob clockwise  to "OFF" and wait 30 seconds. Depress and turn knob counterclockwise  to "SPARK" and ignite the heater again. If your pilot does not relight depress and turn control knob clockwise  to "OFF" and call your service technician or gas supplier.

11. Wait 30 seconds before readjusting the heater when the control knob has been turned down to a lower setting.

26.0 TO TURN OFF GAS TO APPLIANCE

1. Open the control access panel.
2. Depress and turn control knob clockwise  to the "OFF" position (Figure 19). Close the control access panel.

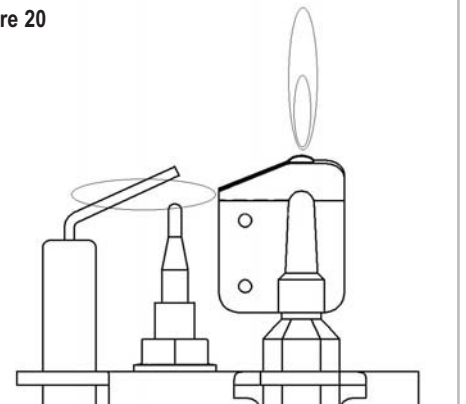
Figure 19



The control knob is located on the lower right hand side of the outer case. It is of a spherical design and is marked as shown in figure 19

Figure 20: Pilot unit. This is located behind the burner, on the left-hand side of the appliance.

Figure 20



27.0 TROUBLESHOOTING GUIDE

<i>Fire sparks but pilot does not light</i>	No gas to Pilot, check the gas line connections. Air not fully purged, repurge supply or wait longer. Spark grounding to metal work, reset gap correctly. Blocked pilot, clean out internally.
<i>Pilot lights but then goes out</i>	Severe restriction in gas supply: clear obstruction. Faulty thermocouple, replace pilot unit. Blocked pilot, clean out. Blocked lint gauze, clean. Hold control knob in for longer. Check control knob does not foul data plate. If the pilot will not stay lit there is a problem with dirt, the gas supply, or the thermocouple needs replacement. Modifications are dangerous and can have a serious unseen effect on safety. NEVER MODIFY OR BEND THE THERMOCOUPLE TO MAKE THE PILOT STAY LIT.
<i>Fire does not spark at pilot</i>	HT lead detached, refit. Check the spark gap (see section 14.0). Faulty piezo unit, replace. Debris shorting out electrode, clean. Spark shorting to metalwork under tray, realign HT lead.
<i>Fire runs for a time and then cuts off</i>	Loose or faulty thermocouple, rectify. Blocked pilot, clean out. Dirt or lint in pilot aeration hole or on the lint gauze, clean thoroughly. If the pilot will not stay lit there is a problem with dirt, the gas supply, or the thermocouple needs replacement. Modifications are dangerous and can have a serious unseen effect on safety. NEVER MODIFY OR BEND THE THERMOCOUPLE TO MAKE THE PILOT STAY LIT.
<i>Pilot flame shrinks when fire is on high</i>	Poor gas flow to fire, check pressure with fire on high. If pressure is low, remove any restriction in pipework or valve. Check all pipework is adequately sized. Check meter pressure is adequate. If the pilot will not stay lit there is a problem with dirt, the gas supply, or the thermocouple needs replacement. Modifications are dangerous and can have a serious unseen effect on safety. NEVER MODIFY OR BEND THE THERMOCOUPLE TO MAKE THE PILOT STAY LIT.
<i>Fire smells when first lit or in use</i>	Newness smell from brand new appliance. Leakage occurring. Carry out leakage test and rectify any problems. Combustible materials used in incorrect positions. Unit may require a service to remove dust from catalysis.

28.0 REPLACEMENT PARTS

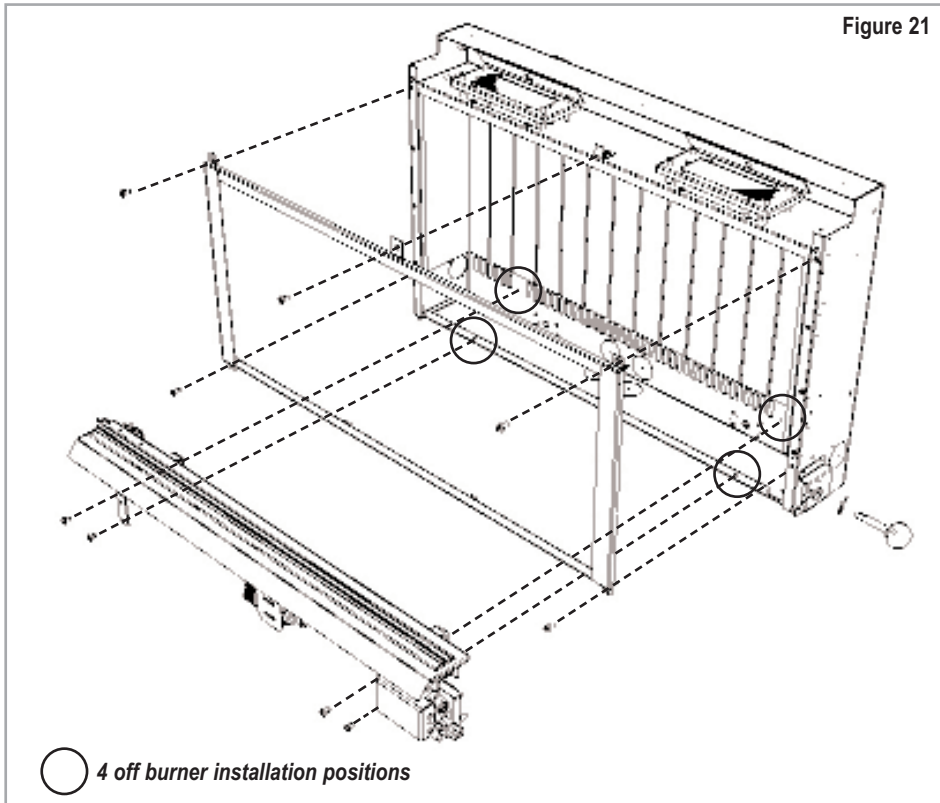
Description	Catalog No.	If you encounter any problems, require spare parts, or have any questions concerning the installation of the heater please contact your distributor. For the name of your nearest distributor contact:
Glass door assembly	H6055	
Gas valve	H6059	
Catalyst	H6060	
Pilot assembly	H6061	
Burner assembly	H6056	
Catalyst seal kit	H6062	
Inlet pressure regulator	H6063	
Decorative glass facia	H6068	

LENNOX HEARTH PRODUCTS
1110 West Taft Avenue
Orange, CA 92865
Phone: 1-800-9-Lennox
visit us at www.Lennox.com

When ordering spare parts, always give the following information:

1. The model number of the heater.
2. The serial number of the heater.
3. The part number.
4. The description of the part.
5. The quantity required.
6. The installation date of the heater.

29.0 POSITIONING OF FIELD REMOVABLE PARTS



WARNING

FAILURE TO POSITION THE PARTS IN ACCORDANCE WITH THESE DIAGRAMS OR FAILURE TO USE ONLY PARTS SPECIFICALLY APPROVED WITH THIS HEATER MAY RESULT IN PROPERTY DAMAGE OR PERSONAL INJURY.

Figure 21: Removal and refitting of glass door assembly and burner assembly.

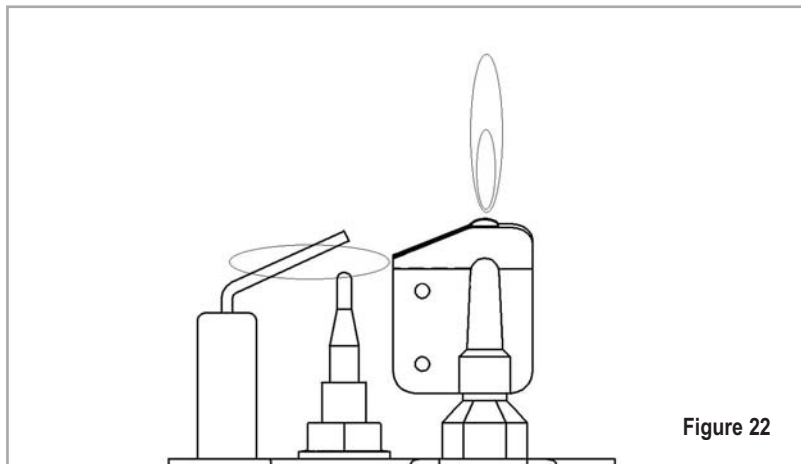


Figure 22 : Visual check for correct pilot flame.

Lennox Hearth Products Gas Fireplaces, Stoves and Inserts

20 Year Limited Warranty

THE WARRANTY

Lennox Hearth Products ("LHP") warrants your gas fireplace, appliance, stove or insert ("Product") to be free from defects in materials and workmanship at the time of manufacture. After installation, if any of the components manufactured by LHP in the Product are found to be defective in materials or workmanship during the twenty year warranty period and while the Product remains at the site of the original installation, LHP will, at its option, replace or repair the defective components. LHP will also pay for reasonable labor costs incurred in replacing or repairing such components for a period of one year from the date of installation. THERE ARE EXCLUSIONS AND LIMITATIONS to this Limited Warranty as described herein.

EXCLUSIONS AND LIMITATIONS

This Limited Warranty applies only if the Product is installed in the United States or Canada and only if operated and maintained in accordance with the printed instructions accompanying the Product and in compliance with all applicable installation and building codes and good trade practices. If repair or replacement is not commercially practical, LHP will, at its option, refund the purchase price of the LHP Product.

The firebox and enclosure are warranted for twenty (20) years from the date of installation as follows: First year - parts at no charge and reasonable labor charges. Second through fifth year - parts only at no charge. Sixth through twentieth year - parts only at 50% of the then current list price. Vent components, brass components, paint, optional accessories and optional glass doors are excluded from this Limited Warranty. A separate limited warranty is available from LHP for optional glass doors manufactured by LHP. The following components are NOT warranted for 20 years but are warranted as follows:

Controls - repair or replacement for one year from the date of installation.

Burner - repair or replacement for one year from the date of installation.

Glass Components - repair or replacement for one year from the date of installation. Ceramic glass is warranted against thermal breakage only for a period of two years from date of installation.

Gaskets - repair or replacement for one year from the date of installation.

Logs - repair or replacement for one year from the date of installation.

Catalyst - two years parts and labor, 3-5th year, parts only from the date of installation.

We will not be responsible for: (a) damages caused by accident, riot, fire, flood or acts of God; (b) damages caused by abuse, negligence, misuse, or unauthorized alteration or repair of the Product affecting its stability or performance (The Product must be subject to normal use. The Product is designed to burn either natural or propane gas only. Burning conventional fuels such as wood, coal or any other solid fuel will cause damage to the Product, will produce excessive temperatures and will result in a fire hazard); (c) damages caused by failing to provide proper maintenance and service in accordance with the instructions provided with the Product; (d) damages, repairs or inefficiency resulting from faulty installation or application of the Product.

This Limited Warranty covers only parts and labor as provided herein. In no case shall LHP be responsible for materials, components or construction which are not manufactured or supplied by LHP or for the labor necessary to install, repair or remove such materials, components or construction. All replacement or repair components will be shipped F.O.B. the nearest LHP factory.

LIMITATION ON LIABILITY

It is expressly agreed and understood that LHP's sole obligation and purchaser's exclusive remedy under this warranty, under any other warranty, expressed or implied, or in contract, tort or otherwise, shall be limited to replacement, repair, or refund, as specified herein. In no event shall LHP be liable for any incidental or consequential damages caused by defects in the Products, whether such damage occurs or is discovered before or after replacement or repair, and whether such damage is caused by LHP's negligence. LHP has not made and does not make any representation or warranty of fitness for a particular use or purpose, and there is no implied condition of fitness for a particular use or purpose.

We make no express warranties except as stated in this Limited Warranty. The duration of any implied warranty is limited to the duration of this expressed warranty.

No one is authorized to change this Limited Warranty or to create for us any other obligation or liability in connection with the Product. Some states and provinces do not allow the exclusion or limitation of incidental or consequential damages, so the above limitations or exclusions may not apply to you. The provisions of this Limited Warranty are in addition to and not a modification of or subtraction from any statutory warranties and other rights and remedies provided by law.

INVESTIGATION OF CLAIMS AGAINST WARRANTY

LHP reserves the right to investigate any and all claims against this Limited Warranty and to decide upon method of settlement.

LHP NOT RESPONSIBLE FOR WORK DONE WITHOUT WRITTEN CONSENT

To receive the benefits and advantages described in this Limited Warranty, the appliance must be installed and repaired by a licensed contractor approved by LHP. Contact LHP at the address provided herein to obtain a listing of approved dealers. LHP shall in no event be responsible for any warranty work done by a contractor that is not approved without first obtaining LHP's prior written consent.

HOW TO REGISTER A CLAIM AGAINST WARRANTY

In order for any claim under this Warranty to be valid, LHP must be notified of the claimed defect in writing as soon as reasonably possible after the defect is discovered. Notices should be directed to LHP, attention Customer Service Department, 1110 West Taft Avenue, Orange, CA 92865. Claims in writing should include the date of installation and a description of the defect.

NOTE: DIAGRAMS & ILLUSTRATIONS ARE NOT TO SCALE

Lennox reserves the right to make changes at any time, without notice, in design, materials, specifications, prices and also to discontinue colors, styles and products. Consult your local dealer or distributor for fireplace code information.

LENNOX HEARTH PRODUCTS
P/N 850,054M REV. NC 04/2007



1110 West Taft Avenue • Orange, CA 92865

INSTRUCCIONES DE INSTALACIÓN Y OPERACIÓN



DAVE LENNOX
signature
COLLECTION

Chimenea catalítica de pared sin salida de humos

Modelo : Scandium-NG

P/N 850,055M Rev. NC, 04/2007



Instalador: Deje este manual junto al aparato.
Consumidor: Guarde este manual para su consulta en el futuro.

En el Estado de Massachusetts:

- La instalación debe ser realizada por un plomero o gasista matriculado o con licencia.
- Consulte este manual, donde encontrará otros requisitos del Estado de Massachusetts.

Tested & Listed By
OTL
US
OMNI-Test Laboratories, Inc.
Informe N°: 317-S-05-5

Scandium™



ADVERTENCIAS

- ¡Caliente! ¡No tocar! Este aparato alcanza altas temperaturas durante su uso y las conserva durante un tiempo después de apagarlo. Pueden producirse quemaduras graves.
- Supervise con atención a los niños que estén en la misma habitación que el aparato.
- Debido a las altas temperaturas generadas, el aparato debe ubicarse en un lugar con poco tránsito, alejado de muebles y cortinas. No coloque ropa ni otros materiales sobre o cerca de este aparato.
- La instalación, el ajuste, la modificación, la revisión o el mantenimiento inadecuados pueden causar daños materiales o lesiones personales. Consulte este manual. Si necesita ayuda o información adicional, consulte a un instalador calificado, a una empresa de mantenimiento o a la compañía de gas.
- No haga un fuego de leña. No queme madera ni otros materiales en este aparato.
- Éste es un calentador de gas sin salida de humos. Consume aire (oxígeno) de la habitación en la que está instalado. Es necesario proporcionar un suministro adecuado de aire de combustión y ventilación. Consulte la sección Aire de combustión y ventilación.
- Este aparato puede ser instalado en una casa prefabricada (móvil) con ubicación permanente una vez adquirida, siempre que no lo prohíba la normativa local.
- El aparato debe utilizarse únicamente con el tipo de gas indicado en la placa de características. Este aparato no es convertible para el uso con otros gases.

ADVERTENCIA: Si no se siguen exactamente las indicaciones de este manual, puede producirse un incendio o una explosión y provocar daños materiales, lesiones personales o pérdida de la vida.

PARA SU SEGURIDAD

No guarde ni utilice gasolina u otros vapores o líquidos inflamables cerca de este o de otros aparatos.

QUÉ HACER SI USTED NOTA OLOR A GAS:

- NO ENCIENDA ningún aparato eléctrico.
- NO TOQUE ningún interruptor eléctrico.
- No utilice ningún teléfono de su edificio.
- Llame inmediatamente a su compañía de gas desde el teléfono de un vecino. Siga las instrucciones de la compañía de gas.
- Si no puede contactar con su compañía de gas, llame a los bomberos.

La instalación y el mantenimiento deben ser realizados por un instalador o empresa de mantenimiento autorizado, o por la compañía de gas.

CONTENIDO

Sección	Contenido	Página N°
1.0	Información general	16
2.0	Lista de embalaje	16
3.0	Especificaciones del aparato	16
4.0	Información de seguridad importante	16
5.0	Normativa	18
6.0	Aire de combustión y ventilación	18
7.0	Requisitos del lugar de ubicación	18
8.0	Preparación del aparato	19
9.0	Montaje del aparato	19
10.0	Comprobación del quemador	20
11.0	Conexión de un conducto de gas	20
12.0	Comprobación de las conexiones de gas	21
13.0	Comprobación de la presión del gas	21
14.0	Espacio entre electrodos	21
15.0	Armado del panel decorativo de vidrio	21
16.0	Montaje del panel decorativo de vidrio	22
17.0	Colocación de los paneles laterales	22
18.0	Información al cliente	23
19.0	Mantenimiento	23
20.0	Mantenimiento del quemador	23
21.0	Montaje del piloto	24
22.0	Catalizadores	24
23.0	Comprobación de fugas de la cámara de combustión	24
24.0	Limpieza	24
25.0	Instrucciones de encendido	25
26.0	Cómo cerrar el paso de gas al aparato	25
27.0	Guía de solución de problemas	26
28.0	Repuestos	26
29.0	Ubicación de piezas ensambladas in situ	27

1.0 INFORMACIÓN GENERAL

Este aparato es un calentador de gas de alta eficacia, sin salida de humos, con efecto de llama. Proporciona calor por radiación y por convección de manera eficiente y segura, utilizando las últimas tecnologías de combustión con conversión catalítica. El aparato no necesita ningún sistema de evacuación de humos, puesto que el convertidor catalítico limpia los residuos, proporcionando un completo sistema de combustión, que es intrínsecamente seguro.

Estos calentadores incorporan un piloto de diseño especial que utiliza un sensor de agotamiento de oxígeno (ODS) que detecta la cantidad de oxígeno que queda en la habitación y apaga el calentador antes de que el nivel de oxígeno caiga por debajo del 18%. El piloto sólo puede ser encendido de nuevo cuando haya suficiente aire fresco. Consulte la sección Aire de combustión y ventilación.

El diseño del aparato permite su instalación en diferentes situaciones, según se indica en los Requisitos de instalación.

Este aparato viene ajustado de fábrica para el tipo de gas y la presión indicados en la placa de características del aparato.

Al encender por primera vez un aparato nuevo, se produce el curado inicial de la pintura para altas temperaturas y se queman los lubricantes durante las primeras horas de funcionamiento. Durante este periodo es posible que se emita cierta cantidad de humo por la rejilla de salida; esto es normal y no debe ser causa de preocupación. Por ello, la habitación debe ventilarse bien, dejando abiertas todas las puertas y ventanas durante este periodo.

Lea todas estas instrucciones antes de comenzar la instalación. Todas las instrucciones deben ser entregadas al usuario para su conservación.



2.0 LISTA DE EMBALAJE

CANTIDAD	DESCRIPCIÓN
1	Conjunto de cámara de combustión y quemador
1	Instrucciones de instalación y operación
1	Conjunto de panel decorativo de vidrio
1	Plantilla de instalación
1	Paquete de tornillos y tacos de pared
1	Pasamuros de goma

3.0 ESPECIFICACIONES DEL APARATO

Tipo de gas		Gas natural
Presión de entrada de gas	Máxima	10,5" cda
	Mínima	6" cda
Ajuste de presión del regulador		5" cda
Consumo máximo de energía		11.950 BTU/h
Consumo mínimo de energía		6.820 BTU/h
Consumo de energía del piloto		560 BTU/hora
Presión del quemador (colector)	Alta	2,4" cda
	Baja	0,8" cda
Restricción de caudal del quemador principal		2 mm (0,079")
Piloto con sensor de oxígeno		SIT/Bray 9082
Conexión de entrada de gas		3/8" NPT en el regulador
Encendido		Piezoeléctrico, por chispa
Espacio entre electrodos		1/8" - 3/16"

Consulte en la placa de características fijada al aparato las especificaciones actuales.

Este aparato debe utilizarse únicamente con el tipo de gas y a la presión indicados en la placa de características del aparato.

4.0 INFORMACIÓN DE SEGURIDAD IMPORTANTE



IMPORTANTE

LEA Y COMPRENDA COMPLETAMENTE ESTAS INSTRUCCIONES ANTES DE INSTALAR O PONER EN FUNCIONAMIENTO SU CALENTADOR SIN SALIDA DE HUMOS.

EN EL SIGUIENTE RECUADRO SE INDICAN LOS REQUISITOS ESPECÍFICOS DEL ESTADO DE MASSACHUSETTS.

Nota: Los siguientes requisitos se refieren a diversos códigos del Estado de Massachusetts y de EE.UU. no contenidos en este documento.

Los calentadores sin salida de humos deberán instalarse según lo establecido en 527 CMR 30 y 248 CMR de 3 a 7:

(a) Permisos e inspecciones: Deben satisfacerse los siguientes requisitos, además de los establecidos en 248 CMR 3.05:

1. Deberá obtenerse un permiso del jefe de bomberos y del inspector de gas local o estatal competentes en la instalación de calentadores de gas natural o propano sin salida de humos.

2. El otorgamiento del permiso quedará supeditado a la inspección y aprobación finales de la instalación por el jefe de bomberos y el inspector de gas local o estatal competentes.

3. Deberá presentarse una copia de los manuales de instalación y operación del fabricante con cada solicitud de permiso.

4. Antes de poner en funcionamiento el aparato, el jefe de bomberos y el inspector de gas local o estatal deberán inspeccionar la instalación para determinar su cumplimiento con lo establecido en 527 CMR (*Board of Fire Prevention Regulations* [Junta de reglamentación para la prevención de incendios]) y 248 CMR (*Board of State Examiners of Plumbers and Gas Fitters* [Junta de evaluación estatal de plomeros y gasistas]).

4.0 INFORMACIÓN DE SEGURIDAD IMPORTANTE (cont.)

EN EL SIGUIENTE RECUADRO SE INDICAN LOS REQUISITOS ESPECÍFICOS DEL ESTADO DE MASSACHUSETTS.

5. El inspector de gas estatal o local no realizará la inspección final del calentador sin salida de humos hasta que se demuestre que el jefe de bomberos competente ha otorgado su permiso.

(b) Los calentadores de gas natural sin salida de humos deben cumplir con la norma ANSI Z21.11.2, estar equipados con un sistema de apagado de seguridad por agotamiento de oxígeno (ODS) y contar con la aprobación establecida en 248 CMR.

(c) Los calentadores de gas natural sin salida de humos deben instalarse según sus especificaciones y las instrucciones del fabricante. Debe mantenerse el espacio libre adecuado hasta los materiales combustibles. En ningún caso las características del espacio libre obstaculizarán el aire de combustión ni la accesibilidad.

(d) Las instalaciones deberán ser de tipo permanente y contar con un suministro de combustible de tubería permanente según las disposiciones de 248 CMR. Los aparatos de gas LP deberán cumplir con los requisitos de almacenamiento establecidos en 527 CMR 6. Están prohibidos los calentadores portátiles de gas natural o sin salida de humos.

(e) Está prohibido el uso de calentadores de gas natural sin salida de humos en dormitorios y baños.

(f) Debe determinarse correctamente el tamaño del calentador para la habitación o el espacio de instalación y en ningún caso deberá superar una entrada de 40.000 BTU, como máximo, por habitación o espacio.

(g) En las viviendas con un calentador de gas natural sin salida de humos, deberá instalarse y mantenerse, como mínimo, un detector de monóxido de carbono aprobado cerca del espacio donde está ubicado el calentador. Dicho detector se instalará según las instrucciones del fabricante.

1. Como condición previa, en todo edificio en el que se vaya a instalar el calentador deberá haber detectores de humo en buen estado de operación, cuya instalación y mantenimiento deberán cumplir con los requisitos de 780 CMR (*State Board of Building Regulations and Standards* [Junta estatal de reglamentos y normas de la construcción]) vigentes en el momento de la construcción, o bien

2. Si, en el momento de la construcción, no se encontraba vigente ningún requisito, el detector de humo deberá cumplir con las disposiciones de M.G.L. c. 148, § 26E e instalarse según ellas.

(h) En las habitaciones y los edificios en los que se utilice un calentador de gas natural sin salida de humos, deberá instalarse y mantenerse de forma permanente una fuente principal de calor operativa en el edificio según las disposiciones de 105 CMR (Departamento de Salud Pública).

(i) El vendedor de un calentador de gas natural sin salida de humos debe proporcionar a cada comprador una copia de 527 CMR 30 en el momento de la venta de la unidad.

• La instalación y las reparaciones deben ser realizadas por un plomero o gasista matriculado o con licencia en el Estado de Massachusetts.

• El conector flexible de la tubería de gas no deberá superar los 92 centímetros (36 pulgadas) de largo.

• Cada llave de paso manual debe ser de un tipo con manija en T.

Nueva York: Este aparato está homologado para su instalación en el Estado de Nueva York, EE.UU., pero no en la Ciudad de Nueva York.



ADVERTENCIA

EL NO MANTENER LIMPIA(S) LA(S) ABERTURA(S) PRINCIPAL(ES) DE VENTILACIÓN DEL/DE LOS QUEMADOR(ES) PUEDE PRODUCIR HOLLÍN Y DAÑOS MATERIALES.



ADVERTENCIA

EL INCUMPLIMIENTO DE LAS INSTRUCCIONES DE INSTALACIÓN Y SEGURIDAD PROPORCIONADAS EN ESTE DOCUMENTO DARÁ LUGAR A UN APARATO MAL INSTALADO DE FUNCIONAMIENTO INCORRECTO, ANULANDO SU GARANTÍA. CUALQUIER MODIFICACIÓN DE ESTE APARATO Y/O SUS CONTROLES DE OPERACIÓN ES PELIGROSO. LA INSTALACIÓN O EL USO INCORRECTOS DE ESTE APARATO PUEDEN CAUSAR GRAVES LESIONES O LA MUERTE POR INCENDIO, QUEMADURAS, EXPLOSIÓN O ENVENENAMIENTO POR MONÓXIDO DE CARBONO.

• Es necesario advertir a niños y adultos del peligro de la alta temperatura de la superficie, y éstos deben mantenerse alejados para evitar quemaduras o que se les prenda fuego la ropa.

• Es necesario supervisar cuidadosamente a los niños pequeños cuando estén en la misma habitación que el calentador.

• No coloque ropa ni otros materiales inflamables sobre o cerca del calentador.

• Debe volver a colocarse cualquier rejilla o protector de seguridad que se haya retirado para efectuar tareas de mantenimiento en el calentador antes de ponerlo en funcionamiento.

• La instalación y las reparaciones deben ser realizadas por un profesional de mantenimiento calificado. El calentador debe ser inspeccionado antes del uso, y al menos una vez por año, por un profesional de mantenimiento calificado. Puede ser necesario limpiar más a menudo debido a pelusas provenientes de moquetas y alfombras, ropa de cama, etc. Es importante mantener limpios los compartimentos de control, los quemadores y los pasos de aire del calentador.

• Deje que se enfríe el calentador antes de realizar tareas de mantenimiento. Cierre siempre el paso de gas al calentador al realizar trabajos de mantenimiento.

• La instalación debe realizarse de acuerdo con la normativa local, o en su ausencia, con el National Fuel Gas Code (Código Nacional del Gas), ANSI Z223.1.

• El calentador y su llave de paso individual deben ser desconectados del sistema de tuberías de suministro de gas durante la realización de pruebas del sistema de tuberías de suministro de gas a una presión superior a 1/2 psig.

• El calentador debe ser aislado del sistema de tuberías de suministro de gas cerrando su llave de paso manual individual durante cualquier prueba de presión del sistema de tuberías de suministro de gas a una presión de prueba igual a o menor de 1/2 psig.

• Mantenga la zona del calentador despejada y libre de materiales combustibles, gasolina y otros vapores y líquidos inflamables.

• No utilice este calentador si cualquier parte del mismo ha estado sumergida en agua. Llame inmediatamente a un técnico de mantenimiento calificado para que inspeccione el calentador y cambie cualquier pieza del sistema de control y cualquier control de gas que haya estado sumergido en agua.

• Las cifras de consumo se indican en BTU por hora, y son para altitudes de hasta 4.500 pies. Si estos aparatos se instalan a altitudes superiores a los 4.500 pies, es posible que a veces se apague el piloto y ocasione molestias. No instale este calentador a altitudes de más de 4.500 pies si el suministro de gas no ha sido ajustado para dicha elevación. Consulte a su compañía de gas local.

• Asegúrese de que el calentador está limpio durante el funcionamiento. Una acumulación excesiva de polvo en el quemador aumentará la cantidad de monóxido de carbono formada, y podría ser causa de envenenamiento por monóxido de carbono y/o la muerte.

• Las chimeneas de gas sin salida de humos están diseñadas para usarse como calentadores complementarios. No están concebidas para usarse de manera continua como principal fuente de calefacción.



ADVERTENCIA

VERIFIQUE EL TIPO DE GAS: EL SUMINISTRO DE GAS DEBE COINCIDIR CON EL INDICADO EN LA PLACA DE CARACTERÍSTICAS DEL APARATO. SI ES DIFERENTE, NO INSTALE EL APARATO. SOLICITE EL MODELO CORRECTO A SU DISTRIBUIDOR.

5.0 NORMATIVA

Observe la normativa local o en su ausencia la última edición de The National Fuel Gas Code ANSI Z223.1 o NFPA54, que puede obtenerse en The American National Standards Institute, Inc. (1430 Broadway, New York, NY, 10018) o National Fire Protection Association, Inc. (Batterymarch Park, Quincy, MA, 02269).

El vendedor de un calentador suplementario de gas natural sin salida de humos en el Estado de Massachusetts debe proporcionar a cada comprador una copia de 527 CMR 30 en el momento de la venta de la unidad. Consulte la sección 4.0 en la página 2 de este manual.

Este calentador de gas sin salida de humos de Lennox Hearth Products está certificado por OMNI-Test Laboratories, Inc con arreglo a la norma ANSI Z21.11.2-2007.

6.0 AIRE DE COMBUSTIÓN Y VENTILACIÓN

Este calentador no debe instalarse en un espacio confinado o en una construcción inusualmente estanca a menos que se prevea un suministro suficiente de aire de combustión y ventilación.

El *National Fuel Gas Code, ANSI Z223,1/NFPA 54* define un espacio confinado como un espacio con un volumen de menos de 50 pies³ por 1.000 BTU/h (4,8 m³ por kW) del consumo nominal acumulado de todos los aparatos instalados en dicho espacio, y un espacio confinado con un volumen de no menos de 50 pies³ por 1.000 BTU/h (4,8 m³ por kW) del consumo nominal acumulado de todos los aparatos instalados en dicho espacio.

Las habitaciones que se comunican directamente con el espacio en el que están instalados los aparatos, a través de huecos no provistos de puertas, se consideran como parte del espacio no confinado.

Una construcción inusualmente estanca se define como una construcción en la que:

a. la pared y los techos expuestos a la atmósfera exterior tienen un retardador continuo de vapor de agua con valor de una unidad de permeancia o menos, con aberturas selladas o con juntas, y

b. se han añadido burletes impermeabilizantes en las ventanas y puertas practicables, y

c. se han aplicado masillas o selladores a zonas tales como juntas alrededor de marcos de ventanas y puertas, entre cimentaciones y suelos, entre las juntas pared-techo, entre paneles de pared, en orificios para conductos sanitarios, eléctricos y de gas, y en otras aberturas.

Utilice las siguientes ecuaciones para determinar si usted tiene un espacio confinado o no confinado.

1. Determine el volumen del espacio — pies³

$$\text{Longitud} \times \text{Ancho} \times \text{Alto} = \text{pies}^3$$

(Incluir habitaciones colindantes con pasillos sin puertas o rejillas de ventilación entre habitaciones.)

Ejemplo: 24' (Largo) x 16' (Ancho) x 8' (Alto) = 3072 pies³

2. Divida el volumen del espacio entre 50 pies³ para determinar el máximo de BTU/h que el espacio puede soportar.

$$\frac{\text{volumen del espacio} - \text{pies}^3}{50 \text{ pies}^3} = \text{Máximo de BTU/h que el espacio puede soportar}$$

Ejemplo: 3072 pies³ / 50 pies³ = 61,44

o 61.440 BTU/h que el espacio puede soportar.

Sume las BTU/h de todos los aparatos quemadores de combustible del espacio.

3.

Calentador sin salida de humos	_____	BTU/h
Aparato de gas N° 1*	_____	BTU/h
Aparato de gas N° 2 +	_____	BTU/h
Aparato de gas N° 3 +	_____	BTU/h
Total =	_____	BTU/h

Ejemplo:

Calentador sin salida de humos N° 1	9.000	BTU/h
Calentador sin salida de humos N° 2	23,000	BTU/h
Aparato de gas N° 1 (calentador de agua)	35.000	BTU/h
Total =	67.000	BTU/h

* No incluya aparatos de gas con salida de humos directa. La salida de humos directa tiene combustión sellada y aspira el aire de combustión desde fuera.

4. Compare el máximo de BTU/h que el espacio puede soportar con la cantidad real de BTU/h consumidas.

_____ BTU/h (máx. que puede soportar el espacio)

_____ BTU/h (cantidad real de BTU/h consumidas)

Ejemplo:

61.440 BTU/h (máx. que puede soportar el espacio)

67.000 BTU/h (cantidad real de BTU/h consumidas)

El espacio del ejemplo anterior es un espacio confinado porque las BTU/h reales consumidas son más del máximo de BTU/h que el espacio puede soportar.

Usted debe proporcionar aire fresco adicional. Sus opciones son:

a. Vuelva a calcular las ecuaciones sumando el espacio de una o más habitaciones colindantes. Si con el volumen adicional se obtiene un espacio no confinado, elimine una puerta o añada rejillas de ventilación entre las habitaciones. Consulte el *National Fuel Gas Code, ANSI Z223,1, Sección 5.3*.

b. Proporcione ventilación directa de la habitación con el exterior. Consulte el *National Fuel Gas Code, ANSI Z223,1, Sección 5.3*.

c. Instale un calentador de menos BTU/h para convertir el área en un espacio no confinado.

Si el consumo real de BTU/h es menor que el máximo de BTU/h que puede soportar el espacio, entonces el espacio es un espacio no confinado. Usted no necesita ventilación adicional alguna para un espacio no confinado.

7.0 REQUISITOS DEL LUGAR DE UBICACIÓN

Este aparato está diseñado para ser colgado en una pared. No empotre ninguna parte del aparato en la pared. Este aparato puede instalarse en cualquier habitación de la casa, salvo en dormitorios y baños o en zonas en las que es probable que se generen grandes cantidades de vapor.

Debe tenerse en cuenta que estos calentadores generan corrientes de aire caliente. Estas corrientes mueven el calor a las superficies de las paredes al lado del calentador. Si se instala el calentador al lado de revestimientos vinílicos o textiles para paredes, o si se utiliza el calentador en un lugar en el que existen impurezas en el aire (como humo de cigarrillo o de velas), puede alterarse el color de las paredes.

Es habitual instalarlo en una sala de estar; no obstante, se permite la instalación en otras habitaciones tales como cocinas, comedores y pasillos, siempre que esté disponible un suministro de gas natural, y que la habitación cumpla estrictamente los requisitos de tamaño y ventilación (ver Sección 4).

El aparato está diseñado para ser versátil, y como tal, funcionará correctamente en presencia de las corrientes de aire suaves que normalmente se producen dentro de una casa. No obstante, no se recomienda que se instale el aparato en zonas en las que probablemente quede expuesto a corrientes fuertes continuas generadas por puertas o ventanas al exterior, huecos de ventilación, etc. Se recomienda no instalar el aparato a menos de 20" de cualquier hueco de ventilación de aire.



ADVERTENCIA

SI LA ZONA EN LA QUE EL CALENTADOR PUEDE SER UTILIZADO ES MENOR QUE LA DEFINIDA COMO ESPACIO NO CONFINADO, O SI EL EDIFICIO ES DE UNA CONSTRUCCIÓN INUSUALMENTE ESTANCA, PROPORCIONE UN SUMINISTRO ADECUADO DE AIRE DE COMBUSTIÓN Y VENTILACIÓN POR UNO DE LOS MÉTODOS DESCRITOS EN EL NATIONAL FUEL GAS CODE, ANSI Z223,1/NFPA 54, SECCIÓN 5.3, O EN LA NORMATIVA LOCAL APLICABLE.

7.0 REQUISITOS DEL LUGAR DE UBICACIÓN (cont.)

Espacio libre hasta superficies no combustibles

Las superficies no combustibles se definen como ladrillo, metal, mármol, hormigón etc., así como diversos materiales artificiales que son insensibles a las llamas. En caso de duda, solicite más información al fabricante del material antes de proceder con la instalación.

Debe dejarse un espacio libre de 4" en los lados del aparato. Debe dejarse un espacio libre de 20" en la parte delantera del aparato.

La parte trasera del aparato puede instalarse directamente sobre una pared incombustible, siempre que la zona detrás del aparato sea plana y no obstruya los diversos orificios de ventilación del panel trasero del aparato.

El aparato puede instalarse con o sin un hogar incombustible. Si se instala un hogar, puede ser del tamaño y diseño que se desee.

Puede colocarse por encima del aparato un estante incombustible de cualquier profundidad, siempre que esté a una distancia de no menos de 16" desde la parte superior del panel de vidrio del aparato y que la pared que está por encima del aparato sea incombustible.

Espacio libre hasta materiales combustibles

Los materiales combustibles se definen como madera, telas u otros materiales susceptibles de arder al estar expuestos a una llama. En general, cualquier material susceptible de decolorarse, derretirse o deformarse al estar expuesto a un calor moderado debe considerarse como material o superficie combustible.

Debe dejarse un espacio libre de 4" en los laterales del aparato, pero no se permiten cortinas u otras telas en un espacio de 20" desde los laterales del aparato. No se permiten materiales de este tipo directamente encima del aparato, cualquiera que sea la distancia.

La distancia mínima al techo por encima del aparato es de 32", medida desde el borde superior del panel de vidrio del aparato.

No deben colocarse materiales combustibles directamente delante del aparato en una distancia de 40".

No deben colocarse en ningún caso equipos eléctricos, por ejemplo, televisores de pantalla de plasma, en la pared por encima del aparato. El aparato está diseñado para ser montado solo en la pared, no acompañado de ningún tipo de embellecedor combustible.

No deben colocarse estantes combustibles en la pared por encima del aparato.

Es necesario comprobar que cualquier espejo, marco de cuadro, etc., que se vaya a colocar en la pared por encima del aparato pueda soportar una exposición prolongada a calor y humedad moderados antes de proceder a su instalación.

La parte trasera del aparato puede instalarse directamente sobre una pared combustible, siempre que ésta sea plana y no obstruya los diversos orificios de ventilación del panel trasero del aparato. La pared debe ser estructuralmente robusta, y debe estar construida de un material capaz de soportar el calor moderado. Algunos ejemplos de materiales adecuados son enlucidos de yeso, papel pintado convencional y paredes revestidas de cartón-yeso. Deben evitarse materiales como papeles pintados aterciopelados, papel vinílico y papel en relieve, que son sensibles incluso a niveles bajos de calor; pueden resultar chamuscados y/o decolorados con el tiempo.

Si el aparato va a montarse en una pared revestida de cartón-yeso o en una pared de armazón de madera, debe confirmarse la integridad de la pared y su capacidad para soportar el peso del aparato. Es importante en estas circunstancias no dañar cualquier barrera de control de vapor, y no dañar ningún componente estructural del armazón de la casa.

El aparato puede colocarse lo más próximo que permita el diseño del marco del calentador a un piso macizo (piedra, laminado de madera, etc.), pero no está permitido instalar el aparato a menos de 4" de moqueta, alfombras o telas de ningún tipo. Esta dimensión se mide verticalmente desde el borde inferior del marco del aparato.

! ADVERTENCIA

NO AÑADA UN SOPLADOR, UN INTERCAMBIADOR DE CALOR U OTRO ACCESORIO NO HOMOLOGADO PARA EL USO CON ESTE CALENTADOR.

8.0 PREPARACIÓN DEL APARATO

Conexión de gas: La conexión de entrada de gas del calentador es de 3/8" NPT en el regulador, ubicado debajo del quemador, en el centro del calentador.

Hay cuatro posibles puntos de entrada por los que puede pasar la tubería de suministro de gas a la cámara de combustión. Estos puntos de entrada son orificios obturados (ilustrados en la Figura 1).

Pueden realizarse conexiones de gas no ocultas usando los puntos de entrada en la base de la cámara de combustión. Puede realizarse una conexión de gas oculta

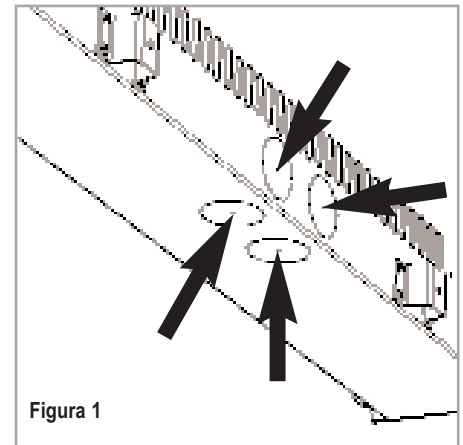


Figura 1

usando el orificio del centro del panel trasero de la cámara de combustión. Seleccione el punto de entrada más apropiado y abra el orificio correspondiente. Si se va a realizar una conexión de gas oculta, la tubería de suministro de gas debe pasar por paredes o pisos por la ruta más corta posible, mediante pasamuros.

Las tuberías de suministro ocultas deben tenderse en sentido vertical (siempre que sea posible), y siempre que la pared tenga el grosor suficiente, deben ir dentro de canaletas. En lo posible, deben evitarse los tendidos horizontales. Antes de abrir una canaleta en una pared maciza, debe inspeccionarse la pared observando la posición de cualquier toma de corriente o cable empotrado que pudiera existir. Las tuberías deben fijarse usando clips apropiados, y deben estar protegidas contra la corrosión. Cuando sea posible, deben utilizarse tuberías y accesorios con protección aplicada en fábrica. Debe reducirse al mínimo el número de acoplamientos, y no deben utilizarse juntas de compresión. La instalación de tuberías debe ser sometida a pruebas de estanqueidad antes de aplicar protección y/o empotrar las tuberías y acoplamientos.

9.0 MONTAJE DEL APARATO

Una vez que haya seleccionado la posición final de montaje del aparato, teniendo en cuenta los requisitos especificados en la sección 7 de estas instrucciones, la integridad de la pared, y la idoneidad de la ruta propuesta para la tubería de suministro, puede fijarse a la pared la cámara de combustión del aparato.

! ADVERTENCIA

NO PERMITA QUE LOS VENTILADORES SOPLEN DIRECTAMENTE HACIA LA CHIMENEA. EVITE CUALQUIER CORRIENTE QUE PUEDA MODIFICAR LOS PATRONES DE LLAMA DEL QUEMADOR.

9.0 MONTAJE DEL APARATO (cont.)



ADVERTENCIA

LA PARED EN LA QUE SE INSTALE EL APARATO DEBE PODER SOPORTAR LA CARGA TOTAL DEL APARATO A LARGO PLAZO. TAMBIÉN DEBEN ADOPTARSE MEDIDAS PARA GARANTIZAR UNA ADECUADA PROTECCIÓN CONTRA TERREMOTOS, VIBRACIONES Y OTRAS FUERZAS EXTERNAS.

Para garantizar la seguridad del usuario, diseñe la instalación de manera tal que la resistencia de la pared y de los accesorios utilizados sea suficiente. Lennox Hearth Products no asume ninguna responsabilidad por lesiones y daños que puedan producirse a consecuencia de una instalación o un manejo inadecuados.

No deberá instalarse el aparato hasta que se haya terminado el lijado en seco y el pintado de las paredes.

Si se instala incorrectamente el aparato, éste puede caerse de la pared y provocar lesiones físicas. No obstruya los orificios de ventilación del aparato. La pared en la que se instale el aparato debe ser plana. Instale el aparato en una superficie vertical únicamente. Evite las superficies desparejas. La instalación del aparato en una pared que no es vertical puede provocar un incendio, daños materiales o lesiones físicas.

Se suministra una plantilla de instalación de tamaño real para ayudar a realizar esta tarea.

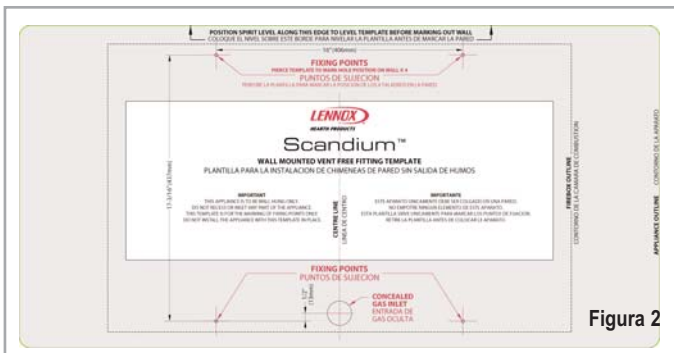


Figura 2

Marque en la pared los puntos identificados como "puntos de fijación". Si va a montar el aparato en el tabique interior de un muro convencional con cámara de aire, o de una pared maciza, perforo 4 orificios usando una broca para pared de 1/4". Introduzca los tacos de pared de fibra suministrados.

Si el aparato va a montarse en una pared revestida de cartón-yeso o en una pared con armazón de madera, necesitará tacos especiales para cámaras huecas, no suministrados con este producto. Deben ser metálicos, no de plástico.

Si se va a realizar una conexión de gas oculta, asegúrese de que la tubería de suministro de gas está en su posición final y que puede introducirse en el aparato correctamente una vez que el aparato esté colgado en la pared.

Introduzca los tornillos de montaje en los tacos de pared superiores, teniendo cuidado de dejar las cabezas de los tornillos a 3/8" aproximadamente de la pared. Ahora cuelgue el aparato en estos tornillos a través de los dos orificios con forma de bocallave situados en el panel trasero del aparato.

Introduzca los tornillos de montaje inferiores en los tacos de pared inferiores, a través de los orificios correspondientes de la parte inferior del panel trasero. No los apriete del todo.

Antes de apretar del todo los tornillos de montaje, se recomienda comprobar la alineación horizontal del aparato usando un nivel, puesto que todavía es posible realizar pequeños ajustes si es necesario. Cuando lo haya comprobado, apriete del todo los cuatro tornillos de fijación.

Para acceder a los tornillos de fijación superiores, introduzca un destornillador a través de los orificios de las placas deflectoras situadas por encima del catalizador, según muestra la Figura 3.

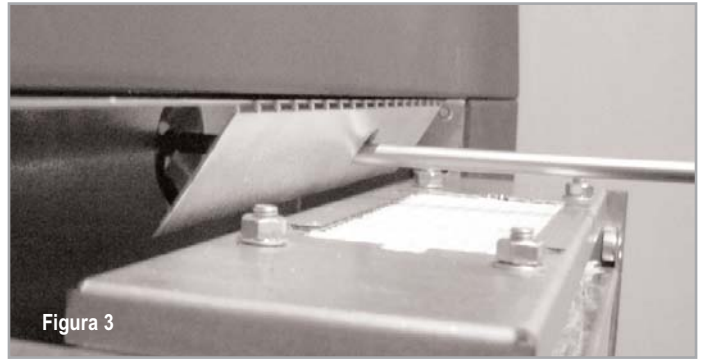


Figura 3

10.0 COMPROBACIÓN DEL QUEMADOR

No hay componentes de lecho de combustible de imitación que instalar. El aparato tiene un quemador tipo cinta que ha sido diseñado para producir una banda continua de llamas en toda su longitud. Inspeccione visualmente el quemador para asegurarse de que está libre de elementos extraños. Si es necesario limpiar o quitar el polvo del quemador, debe desmontarse la puerta de vidrio retirando sus cuatro tornillos de retención. Vuelva a montar la puerta de vidrio después de la limpieza o inspección, comprobando su estanqueidad.

11.0 CONEXIÓN DE UN CONDUCTO DE GAS



IMPORTANTE

SUJETE EL REGULADOR DEL CALENTADOR CON UNA LLAVE PARA EVITAR QUE SE MUEVA AL CONECTARLO A LA TUBERÍA DE ENTRADA.

Un instalador calificado de aparatos de gas debe conectar el calentador de gas al suministro de gas. Consulte todas las normas locales. El instalador debe proporcionar una llave de paso manual con homologación ANSI, un conector flexible y un accesorio de 3/8" NPT.

Enrute la tubería de gas usando las técnicas y los materiales especificados en las normas locales y/o nacionales. Utilice únicamente tuberías de 1/2" o más de diámetro para asegurar el caudal necesario de gas a la chimenea. Si la tubería es demasiado pequeña, habrá una pérdida excesiva de presión. Deben instalarse, aguas arriba del calentador, una válvula de cierre manual con homologación ANSI, dentro del hueco de la chimenea, si se utiliza tubería rígida. Asegúrese de que hay una trampa de sedimentos instalada aguas arriba del calentador (figura 4), dentro del sistema de tuberías de la estructura, para evitar que pasen humedad y contaminantes a través del tubo a los controles y al quemador del calentador. Si no, el calentador puede no funcionar de manera confiable. La conexión de entrada de gas del calentador es de 3/8" NPT en el regulador, ubicado debajo del quemador, en el lado derecho del calentador. Al apretar el acoplamiento con el regulador, sujete firmemente el regulador con una llave para evitar que éste se mueva.

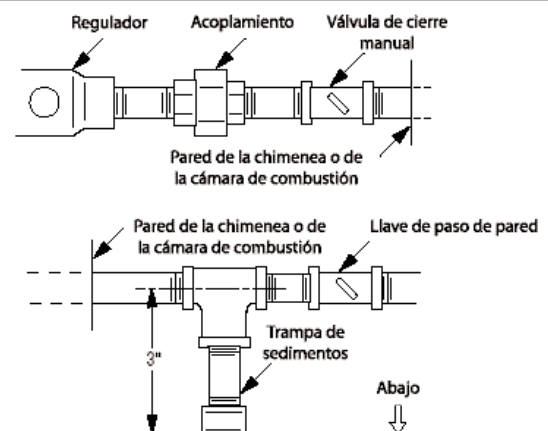


Figura 4

12.0 COMPROBACIÓN DE LAS CONEXIONES DE GAS

Abra el suministro de gas y verifique que no hay fugas usando una solución para detectar fugas de gas (también conocida como detector de burbujas).

NOTA: El uso de una solución de agua jabonosa (50% jabón de mano, 50% agua) es una solución eficaz para buscar fugas, pero no se recomienda porque el residuo de jabón que queda en las tuberías y los acoplamientos puede producir corrosión con el tiempo.

A. Encienda el aparato (consulte la etiqueta de instrucciones de encendido del compartimento de control o de la página 11).

B. Con un cepillo, cubra todas las juntas y conexiones con la solución para pruebas de fugas de gas para verificar que no hay fugas. Si se forman burbujas, o se detecta olor a gas, haga girar la perilla de control del gas (apagado/piloto/encendido) hasta la posición "APAGADO" (OFF). Apriete o vuelva a montar la conexión que tiene la fuga, luego vuelva a comprobarla según descrito anteriormente.

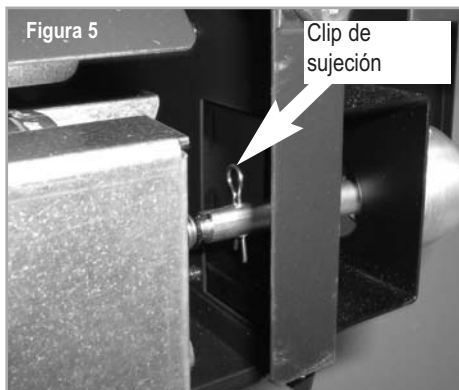
C. Cuando haya probado las tuberías de gas y comprobado que no tienen fugas, asegúrese de limpiar la solución de prueba de fugas.

D. Observe las llamas individuales del quemador. Asegúrese de que todos los orificios están abiertos y que producen llamas homogéneas en todo el quemador. Si algún orificio está obstruido total o parcialmente, límpielo.

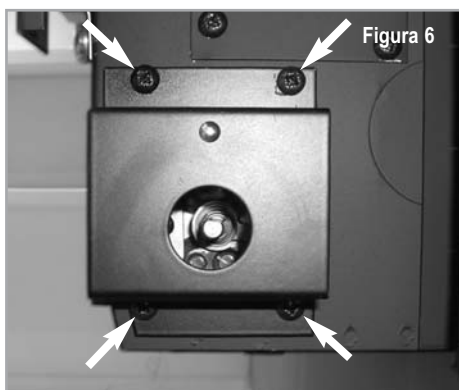
13.0 COMPROBACIÓN DE LA PRESIÓN DEL GAS

La presión debe comprobarse con el calentador encendido y el control puesto en llama alta.

Los puntos de prueba de presión están ubicados en la válvula de gas. Para acceder a la válvula y a los puntos de prueba, primero quite el clip de sujeción según muestra la Figura 5, para retirar el husillo de la perilla de control del husillo de la válvula.



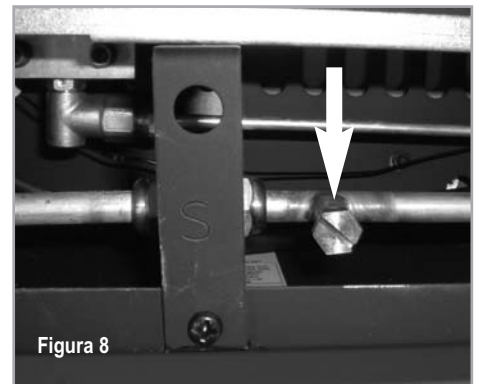
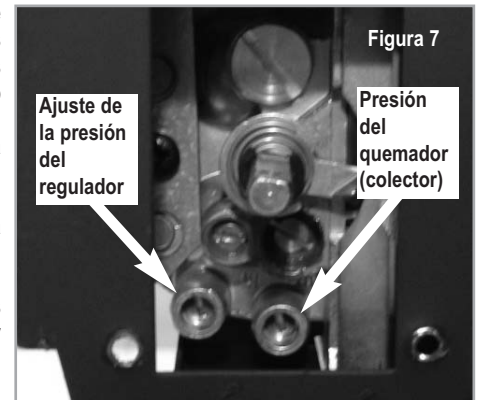
Retire la perilla de control y el husillo del calentador, retire la cubierta de la válvula de gas quitando los cuatro tornillos de retención que se indican en la Figura 6.



Los puntos de prueba de presión están ubicados en los lugares indicados en la Figura 7. Un punto de prueba alternativo del quemador (colector) está ubicado debajo del lateral izquierdo del quemador, según muestra la Figura 8.

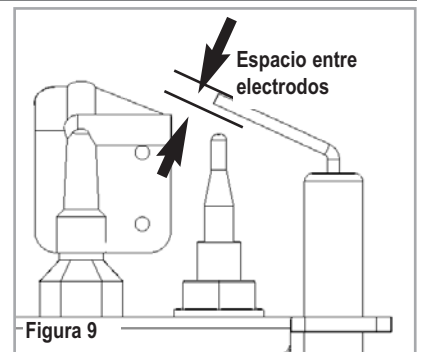
El regulador de presión de los modelos manuales está preajustado y bloqueado para evitar su manipulación indebida. Si la presión no es la especificada en la sección "Especificaciones del aparato" de la página 2, sustituya el regulador por la pieza número H6063.

Después de medir la presión, vuelva a colocar los tornillos del punto de prueba y asegúrese de que no haya fugas de gas. Todas las instrucciones deben ser entregadas al usuario para su conservación.



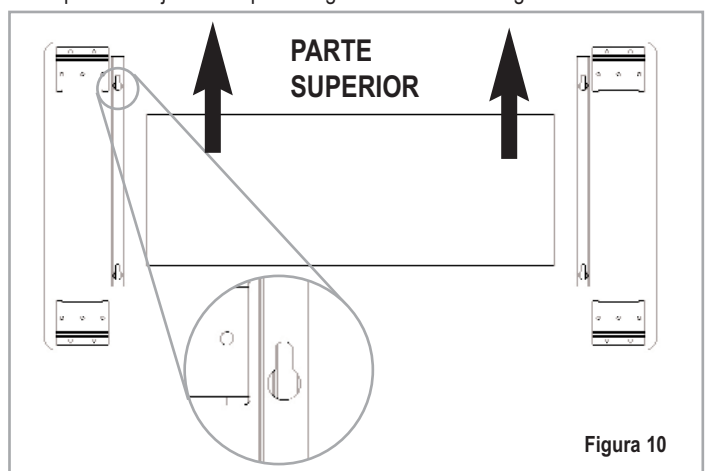
14.0 ESPACIO ENTRE ELECTRODOS

El hueco entre el electrodo y el piloto debe ser de 1/8" a 3/16" para producir una buena chispa. No debe ser necesario ajustar este hueco. Si por alguna circunstancia el encendido piezoeléctrico falla, el piloto no puede ser encendido manualmente.



15.0 ARMADO DEL PANEL DECORATIVO DE VIDRIO

1. Retire el panel de vidrio del embalaje y colóquelo cara abajo en una superficie blanda. Identifique las partes superior e inferior del panel decorativo de vidrio observando la orientación de las ranuras en forma de bocallave de los soportes de fijación del panel según se ilustra en la Figura 10.



15.0 ARMADO DEL PANEL DECORATIVO DE VIDRIO (cont.)

2. Deslícelo por las piezas laterales y asegúrese de que los orificios de fijación de la rejilla (que se ilustran) queden alineados hacia la parte superior del panel decorativo de vidrio (según se muestra en la figura 11).

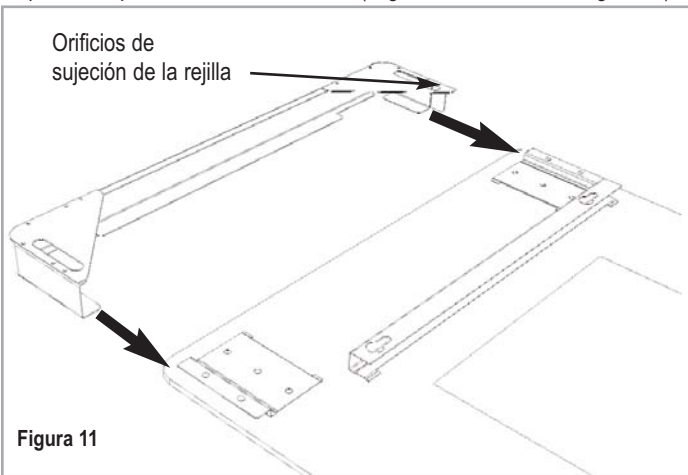


Figura 11

3. Asegúrese de que los lados estén bien alineados con el vidrio y sujételos con dos tornillos M6 en cada lado según se ilustra en la figura 12. No apriete en exceso los tornillos.

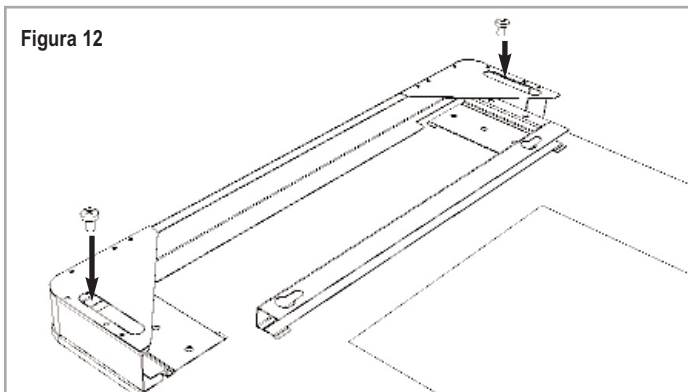


Figura 12

4. Coloque correctamente la rejilla en las dos piezas laterales.

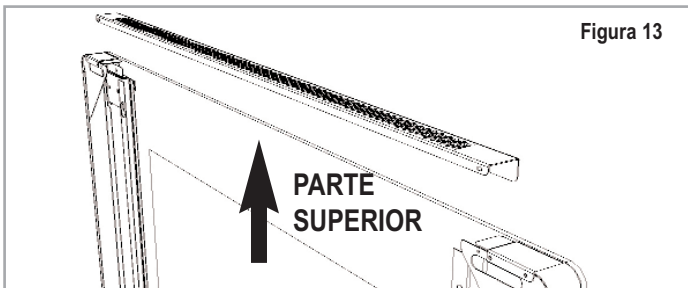


Figura 13

5. Sujete la rejilla en su lugar con dos tornillos M6 y dos tornillos autorroscantes N° 8 según se ilustra en la figura 14.

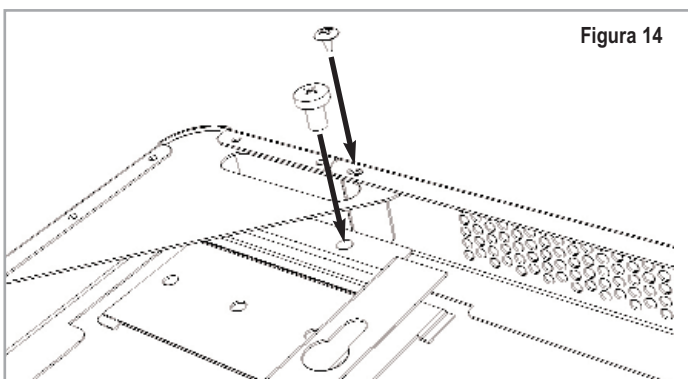


Figura 14

16.0 MONTAJE DEL PANEL DECORATIVO DE VIDRIO

El panel decorativo de vidrio se sujeta con cuatro tornillos M6 que sobresalen de la parte delantera de la carcasa. Introduzca los tornillos de fijación M6 y asegúrese de que sobresalen unos 1/8" para poderlos introducir en los orificios en forma de bocallave, y para que se enganche el panel. Asegúrese de que los tornillos están correctamente introducidos en los orificios en forma de bocallave. Consulte la figura 15.

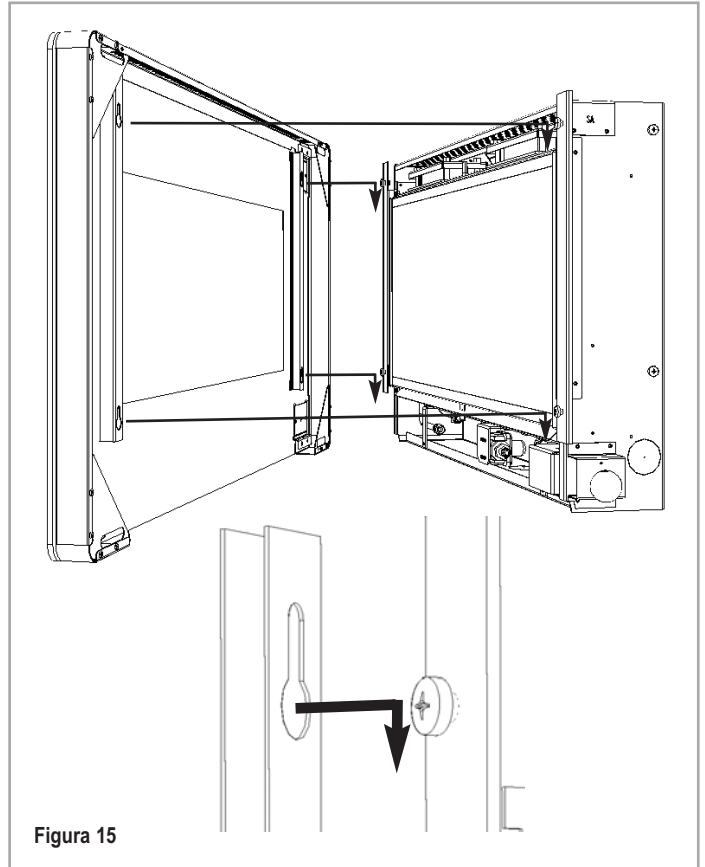
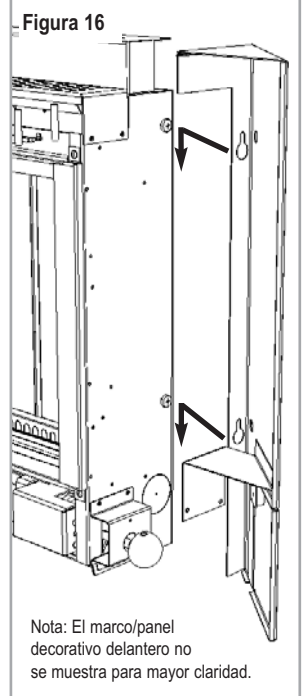


Figura 15

17.0 COLOCACIÓN DE LOS PANELES LATERALES

Retire los dos conjuntos de panel lateral del embalaje protector y móntelos en los laterales de la cámara de combustión según se indica. Introduzca los tornillos de fijación M6 en los laterales de la cámara de combustión y asegúrese de que sobresalen unos 1/8" para poderlos introducir en los orificios en forma de bocallave, y para que se enganchen los paneles laterales.



Nota: El marco/panel decorativo delantero no se muestra para mayor claridad.

17.0 COLOCACIÓN DE LOS PANELES LATERALES (cont.)

Introduzca un destornillador a través de los orificios del panel de la derecha y apriete los dos tornillos de fijación M6 (tornillos 'a' en la figura 17). Luego introduzca dos tornillos autorroscantes N° 8 (tornillos 'b' en la figura 17) a través del soporte del panel lateral y de los orificios correspondientes de la cámara de combustión. Apriete a fondo.

Repita para el panel de la izquierda, que se fija apretando los tornillos M6 'a' solamente.

El panel de la derecha tiene un panel abisagrado para permitir el acceso a la perilla de control.

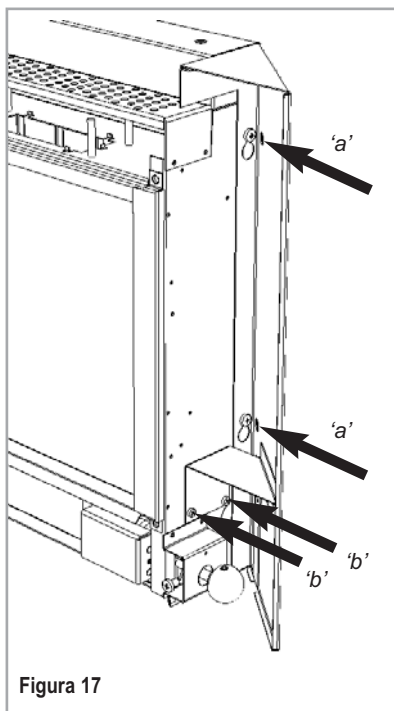


Figura 17

18.0 INFORMACIÓN AL CLIENTE



ADVERTENCIA

NO AÑADA TRONCOS U ELEMENTOS DECORATIVOS TALES COMO PIÑAS, VERMICULITA O LANA MINERAL. EL USO DE ESTOS ELEMENTOS ADICIONALES PUEDE CAUSAR LA GENERACIÓN DE HOLLÍN.

Después de la puesta en marcha del aparato, se debe instruir al cliente sobre la seguridad en el uso del aparato y la necesidad de un mantenimiento regular. La frecuencia del mantenimiento depende del uso, pero es IMPRESCINDIBLE llevarlo a cabo al menos una vez al año.

Avise al cliente que puede limpiar el calentador cuando éste está frío usando un paño húmedo y un detergente suave en la mayoría de las superficies.

Avísele que el calentador emitirá un "olor" durante cierto tiempo después de la puesta en marcha inicial y que puede ser necesario una ventilación adicional durante este periodo. Debe realizarse una comprobación visual periódica de la llama del piloto y del quemador. (Consulte la figura 22).

19.0 MANTENIMIENTO

El procedimiento de mantenimiento recomendado es el siguiente:

Cierre el paso de gas del calentador. Asegúrese de que el calentador se ha enfriado totalmente antes de proceder al mantenimiento.

1. Disponga el paño de protección y las herramientas.
2. Retire el panel decorativo de vidrio delantero según se indica en la sección 16.0, pero en sentido inverso.
3. Retire el conjunto de la puerta de vidrio (5 tornillos) y límpielo con cuidado. Retire la cubierta de la válvula (4 tornillos).
4. Inspeccione el quemador y los catalizadores y límpielos si es necesario con un cepillo suave.
5. Desconecte el suministro de gas.

6. Retire los cuatro tornillos que sujetan los soportes del quemador a la base y a la parte trasera de la cámara de combustión.
7. Retire la unidad del quemador, desmonte los tubos del quemador y limpie a fondo.
8. Limpie el restrictor en línea, el conjunto del piloto y el tubo del quemador. No intente retirar el inyector del piloto, puesto que podría causar daños.
9. Vuelva a montar los componentes.
10. Abra el paso de gas y compruebe que no hay fugas. Compruebe que el piloto y el quemador se encienden correctamente.
11. Vuelva a colocar la cubierta de la válvula y sus tornillos de fijación.
12. Vuelva a colocar el conjunto de la puerta de vidrio.
13. Vuelva a colocar el panel decorativo según se describe en la sección 15.0.
14. Compruebe que la ventilación integrada no está obstruida.
15. Encienda el calentador y compruebe las presiones.
16. Compruebe que el aparato funciona de manera segura.

Consulte las secciones correspondientes si necesita instrucciones de mantenimiento específicas.

20.0 MANTENIMIENTO DEL QUEMADOR



ADVERTENCIA

CUALQUIER MODIFICACIÓN DE ESTE APARATO Y/O SUS CONTROLES DE OPERACIÓN PUEDE SER PELIGROSO.

Primero, retire el panel decorativo de vidrio delantero según se describe en la Sección 16.0, pero en sentido inverso, retire la tapa de la válvula (4 tornillos) y desconecte el suministro de gas dentro del aparato. Ahora pueden liberarse las conexiones de gas a la válvula de gas. Retire los 4 tornillos que sujetan los soportes del quemador a la base y a la parte trasera de la cámara de combustión. Ahora puede retirarse el quemador.

Retire los tubos del piloto y del quemador principal y sople a través de los mismos para desprender cualquier residuo. Ahora retire el codo del inyector y sople a través del mismo para asegurarse de que quede completamente libre de obstrucciones.

Desenganche el filtro de malla del piloto y límpiela con un cepillo suave. Limpie el exterior del conjunto del piloto con un cepillo suave y sople por los orificios de las llamas en el cabezal del piloto. Compruebe que los orificios de aireación están libres de pelusas y suciedad. Si es necesario, el conjunto del piloto puede retirarse desconectando el cable de alta tensión del electrodo, el tubo de gas y el cable del termopar, y desatornillando los tornillos de montaje. El conjunto del piloto no admite mantenimiento y no debe desmontarse. Los orificios de aireación deben estar completamente libres de obstrucción por dentro para una operación correcta. **NUNCA MODIFIQUE NI DOBLE EL TERMOPAR PARA HACER QUE EL PILOTO SE MANTENGA ENCENDIDO.** Las modificaciones son peligrosas y pueden tener graves efectos no visibles en la seguridad. Si el piloto no permanece encendido, hay un problema con la suciedad o con el suministro de gas, o el termopar debe ser sustituido.

La válvula de gas es un elemento que no admite mantenimiento. Si es necesario sustituirla, retire la cubierta y luego el tornillo que sujeta el soporte de la válvula, retire todos los acoplamientos de tubos, y la válvula completa. Debe sustituirse con piezas del fabricante original.

Vuelva a montar las piezas en orden inverso. Compruebe que las presiones son las indicadas en la Sección 3: Especificaciones del aparato.

21.0 CONJUNTO DEL PILOTO



ADVERTENCIA

NO DEBEN EFECTUARSE AJUSTES EN EL SISTEMA DE PILOTO ODS. LA MANIPULACIÓN DE ESTE SISTEMA PUEDE SER EXTREMADAMENTE PELIGROSA.

Retire el panel decorativo de vidrio, la puerta de vidrio y el conjunto del quemador (según lo indicado en la sección de mantenimiento), el filtro de malla y el conjunto del piloto usando un destornillador para retirar los tornillos de fijación. Limpie el conjunto del piloto con un cepillo suave y sople a través del mismo. Compruebe que los orificios de aireación están libres de pelusas y suciedad. Limpie a fondo el interior; es posible retirar el conector de la base del conjunto del piloto usando dos llaves para facilitar la limpieza. No dañe el inyector del piloto, ni intente desmontarlo. El conjunto es preajustado en fábrica, y la única comprobación necesaria es asegurar que el espacio entre electrodos es correcto. Consulte las especificaciones para el ajuste de gas.

NUNCA MODIFIQUE NI DOBLE EL TERMOPAR PARA HACER QUE EL PILOTO SE MANTENGA ENCENDIDO. Si el piloto no permanece encendido, hay un problema de suciedad o con el suministro de gas, o el termopar debe ser sustituido. Las modificaciones son peligrosas y pueden tener graves efectos no visibles en la seguridad; por tanto, **NO DEBEN hacerse.** Debe sustituirse con piezas del fabricante original. Vuelva a montar las piezas en orden inverso. Compruebe que las presiones son las indicadas en la Sección 3: Especificaciones del aparato.

22.0 CATALIZADORES

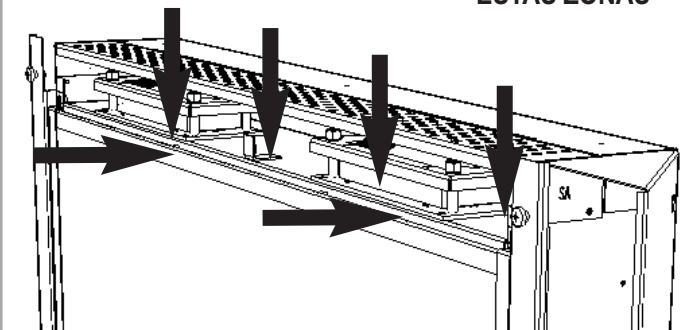


ADVERTENCIA

NO OBSTRUYA LOS CATALIZADORES NI LA REJILLA DE SALIDA DEL APARATO. SI SE OBSTRUYEN, PUEDEN ACUMULARSE ALTOS NIVELES DE MONÓXIDO DE CARBONO O PUEDE ROMPERSE EL PANEL DECORATIVO DE VIDRIO.

Figura 18

NO OBSTRUYA ESTAS ZONAS



ADVERTENCIA

NO UTILICE EL APARATO SI SE HAN QUITADO LOS CATALIZADORES.

Se recomienda inspeccionar los catalizadores en busca de señales de daños y suciedad durante los procedimientos de mantenimiento de rutina. La vida prevista de los catalizadores es de más de 11.000 horas (10 años de uso normal). Después de este tiempo es necesario cambiar el catalizador. Si hay acumulaciones de suciedad u hollín en los catalizadores, deben limpiarse con un cepillo suave y una aspiradora. Si se retiran para su limpieza, asegúrese de que las juntas están en buenas condiciones antes de volver a instalar el catalizador. Normalmente se necesitarán juntas nuevas.

El rendimiento del catalizador puede comprobarse usando un analizador de gases de combustión, según se explica a continuación. **Importante:** La temperatura de los gases emitidos por los convertidores catalíticos supera los 700 °F. La medición de gases a esta temperatura puede dañar algunos

tipos de analizadores de gases. En caso de duda, consulte al fabricante equipo.

Encienda la chimenea siguiendo las instrucciones de uso y deje que funcione durante 15 minutos. Ponga la sonda del analizador de gas directamente encima de un catalizador a través de la rejilla de salida, en la parte superior del aparato. Anote la concentración de dióxido de carbono (CO₂) y luego la concentración de monóxido de carbono (CO) mostradas por el analizador, así como las unidades en que se muestran los valores. La mayoría de los analizadores muestra las concentraciones de dióxido de carbono (CO₂) en porcentajes (%) y las de monóxido de carbono en partes por millón (ppm).

Para calcular la razón de combustión del aparato (CO/CO₂) es necesario primero expresar ambas concentraciones de gas como porcentaje. Para convertir desde partes por millón (ppm) a un porcentaje (%) divida la figura en ppm por 10.000. Ejemplos: 35ppm = 0,0035%, 15ppm = 0,0015%, 5ppm = 0,0005%.

Ahora, divida la concentración de monóxido de carbono (CO) expresada como porcentaje por la concentración de dióxido de carbono (CO₂) para obtener la razón de combustión del aparato.

$$\frac{\text{CO} (\%)}{\text{CO}_2 (\%)} = \text{razón}$$

La razón de combustión de los gases emitidos por el convertidor catalítico no debe superar 0,0015. En caso de sustitución, primero retire el panel decorativo de vidrio según lo indicado en la Sección 15.0. Los catalizadores se encuentran encima de la cámara de combustión interna, y pueden retirarse desatornillando las tuercas de retención de la placa de sujeción. Retire el catalizador y las juntas, y deséchelos. Coloque un catalizador nuevo y las juntas correspondientes en orden inverso, asegurando que el catalizador y la puerta queden estancos.

23.0 COMPROBACIÓN DE FUGAS DE LA CÁMARA DE COMBUSTIÓN

Si un aparato tiene varios años de antigüedad o ha sido desmontado varias veces, es necesario comprobar su estanqueidad. Es importante que todos los productos de la combustión pasen a través de los convertidores catalíticos situados en la parte superior de la cámara de combustión antes de salir del aparato.

Caliente la cámara de combustión encendiendo el aparato durante unos minutos para generar un flujo de aire a través de la cámara de combustión. Apague el quemador e introduzca una pastilla de humo o un fósforo en la base del calentador, debajo de la bandeja del quemador. Saldrán grandes cantidades de humo de la parte superior del aparato, pero no debe salir humo de las uniones o de las juntas, sobre todo alrededor de la puerta. Es importante observar que el aparato nunca podrá ser estanco al humo al 100%, y podrán verse pequeñas cantidades de humo en esquinas, uniones y juntas, incluso con la chimenea encendida, sin afectar la seguridad.

24.0 LIMPIEZA



ADVERTENCIA

APAGUE EL CALENTADOR DE GAS SIN SALIDA DE HUMOS Y DEJE QUE SE ENFRÍE ANTES DE LIMPIARLO.

PANEL DE VIDRIO - Puede limpiarse con un producto para cristales apropiado. Las siguientes soluciones están aprobadas para usarse en la limpieza del vidrio.

- Producto limpiador de uso doméstico sin amoníaco
- Mezcla de vinagre blanco y agua en partes iguales
- Producto de limpieza para vidrios de calentadores/estufas de gas

Pruebe primero en una zona pequeña.

ZONAS PINTADAS - Pueden limpiarse con un paño seco.

ZONAS DE METAL ACABADO - Pueden limpiarse usando un limpiador comercial para metal o aceite para niños. Pruebe primero en una parte no visible. Limpie siempre en el sentido del "veteado".

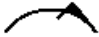

PARA SU SEGURIDAD, LEA ANTES DE ENCENDER EL APARATO

ADVERTENCIA

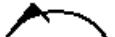

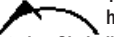
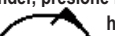
SI USTED NO OBSERVA ESTRICTAMENTE ESTAS INSTRUCCIONES, PUEDE PRODUCIRSE UN INCENDIO O UNA EXPLOSIÓN, CON RESULTADO DE DAÑOS MATERIALES, LESIONES PERSONALES O PÉRDIDA DE LA VIDA.

- A. El calentador tiene un piloto que debe ser encendido manualmente. Para encender el piloto, siga estas instrucciones exactamente.
- B. ANTES DEL USO examine toda la zona del calentador y verifique si hay olor a gas. Asegúrese de oler cerca del piso, porque algunos gases son más pesados que el aire y se asientan sobre el piso.
- QUÉ HACER SI USTED NOTA OLOR A GAS
 - No intente encender ningún aparato.
 - No toque ningún interruptor eléctrico; no utilice ningún teléfono de su edificio.
- C. Utilice únicamente la mano para presionar o hacer girar la perilla de gas. No utilice nunca herramientas. Si no es posible presionar o hacer girar la perilla con la mano, no intente repararlo; llame a un técnico de mantenimiento calificado. El uso de la fuerza o cualquier intento de reparación puede causar un incendio o una explosión.
- D. No utilice este calentador si cualquier parte del mismo ha estado sumergida en agua. Llame inmediatamente a un técnico de mantenimiento calificado para que inspeccione el aparato y cambie cualquier pieza del sistema de control y cualquier control de gas que haya estado sumergido en agua.

25.0 INSTRUCCIONES DE ENCENDIDO

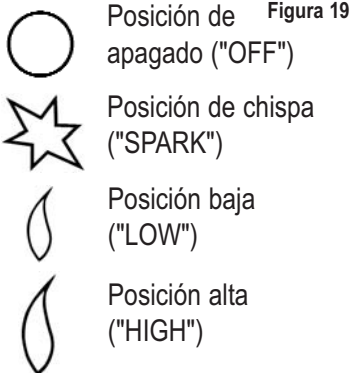
1. ¡Pare! Lea la información sobre seguridad de la sección anterior.
2. Asegúrese de que la válvula de cierre manual está completamente abierta.
3. Abra el panel decorativo de vidrio.
4. Presione la perilla y hágala girar en el sentido de las agujas del reloj  hasta la posición de apagado "OFF" (Figura 19).
5. Espere 5 minutos para eliminar cualquier resto de gas. Luego huela en busca de gas, incluyendo cerca del piso. Si nota olor a gas, ¡PARE! Siga las instrucciones de seguridad de la sección "Qué hacer si usted nota olor a gas" en la Sección "B" anterior. Si no nota olor a gas, continúe con el paso siguiente.
6. El piloto está situado en el lado izquierdo, debajo del quemador (Figura 20).
7. Presione la perilla hacia dentro y hágala girar en el sentido contrario a las agujas del reloj  a la posición "SPARK" (Figura 19), y manténgala presionada en esa posición durante unos segundos.

Nota: Al encender el calentador por primera vez o después de un periodo prolongado sin usarlo, será necesario mantener la perilla presionada hasta el fondo durante unos 30 segundos para purgar todo el aire de las tuberías de gas.

8. Continúe haciendo girar en el sentido contrario a las agujas del reloj, pasando por el clic de la chispa, hasta la posición PILOT, y compruebe que el piloto se ha encendido. Si no, haga girar la perilla en el sentido de las agujas del reloj hasta que haga tope, y repita la secuencia.
9. Mantenga presionada la perilla durante 10 segundos más para evitar que el detector de fallo de la llama cierre el paso de gas mientras se caliente la sonda.
10. Libere la perilla mientras la hace girar a la posición deseada.  Cierre el panel de acceso al control.
 - Si la perilla no sale, desista y llame inmediatamente a su técnico de mantenimiento o a su compañía de gas.
 - Si después de varios intentos el piloto no permanece encendido, presione la perilla de gas y hágala girar en el sentido de las agujas del reloj  hasta la posición de apagado "OFF"; espere 30 segundos. Presione la perilla y hágala girar en el sentido contrario a las agujas del reloj  hasta la posición de chispa "SPARK" y vuelva a encender el calentador. Si el piloto no se vuelve a encender, presione la perilla y hágala girar en el sentido de las agujas del reloj  hasta la posición de apagado "OFF", y llame a su técnico de mantenimiento o a la compañía de gas.
11. Espere 30 segundos antes de volver a ajustar el calentador después de mover la perilla a un ajuste más bajo.

26.0 CÓMO CERRAR EL PASO DE GAS AL APARATO

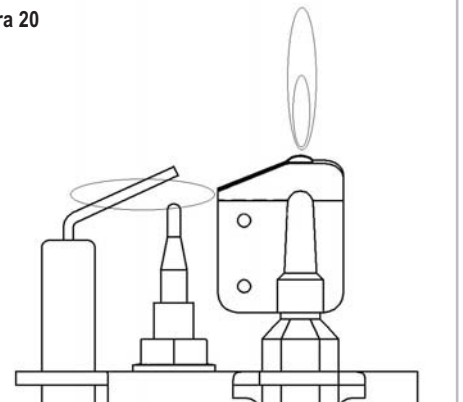
1. Abra el panel de acceso al control.
2. Presione la perilla y hágala girar en el sentido de las agujas del reloj  a la posición de apagado "OFF" (Figura 19). Cierre el panel de acceso a la perilla de control.



La perilla de control está ubicado en el lado inferior derecho de la carcasa externa. Tiene un diseño esférico y está marcada según se ilustra en la Figura 19.

Figura 20: Conjunto de piloto. Está situado detrás del quemador, en el lado izquierdo del aparato.

Figura 20



27.0 GUÍA DE SOLUCIÓN DE PROBLEMAS

Se produce una chispa pero el piloto no se enciende

No llega gas al piloto, compruebe las conexiones de la tubería de gas.
El aire no se ha purgado del todo: vuelva a purgar el aire, o espere más tiempo.
Derivación de la chispa a una pieza metálica: ajuste correctamente el espacio entre electrodos.
Piloto obstruido: limpiar internamente.

El piloto se enciende, luego se apaga

Importante restricción en el suministro de gas: eliminar la obstrucción.
Termopar defectuoso: cambie el conjunto del piloto.
Piloto obstruido: limpiar.
Filtro de malla obturado: limpiar
Mantenga pulsada la perilla de control durante más tiempo.
Compruebe que la perilla de control no choca con la placa de datos.
Si el piloto no permanece encendido, hay un problema de suciedad o con el suministro de gas, o el termopar debe ser sustituido. Las modificaciones son peligrosas y pueden tener graves efectos no visibles en la seguridad. **NUNCA MODIFIQUE NI DOBLE EL TERMOPAR PARA HACER QUE EL PILOTO SE MANTENGA ENCENDIDO.**

No se produce una chispa en el piloto

Cable de alta tensión suelto: reconectar.
Compruebe el espacio entre electrodos (ver Sección 14.0).
Unidad piezoeléctrica defectuosa: cambiar.
Cortocircuito en el electrodo: limpiar.
Derivación de la chispa a piezas metálicas debajo de la bandeja: volver a alinear el cabezal de alta tensión.

El calentador funciona durante un tiempo, luego se apaga

Termopar suelto o defectuoso: rectificar.
Piloto obstruido: limpiar.
Suciedad o pelusas en el orificio de aireación del piloto o en el filtro de malla: limpiar a fondo.
Si el piloto no permanece encendido, hay un problema de suciedad o con el suministro de gas, o el termopar debe ser sustituido. Las modificaciones son peligrosas y pueden tener graves efectos no visibles en la seguridad. **NUNCA MODIFIQUE NI DOBLE EL TERMOPAR PARA HACER QUE EL PILOTO SE MANTENGA ENCENDIDO.**

La llama del piloto se reduce cuando el calentador está en Alto

Flujo defectuoso de gas al calentador: compruebe la presión con el calentador en Alto.
Si la presión es baja, elimine cualquier restricción en la tubería o la válvula.
Compruebe que toda la tubería sea del tamaño correcto.
Compruebe que hay suficiente presión en el contador.
Si el piloto no permanece encendido, hay un problema de suciedad o con el suministro de gas, o el termopar debe ser sustituido. Las modificaciones son peligrosas y pueden tener graves efectos no visibles en la seguridad. **NUNCA MODIFIQUE NI DOBLE EL TERMOPAR PARA HACER QUE EL PILOTO SE MANTENGA ENCENDIDO.**

Hay olor a gas al encenderse o utilizarse el calentador por primera vez

Olor "a nuevo" del aparato.
Fuga. Realice prueba de fugas y resuelva cualquier problema.
Materiales utilizados en lugares no apropiados.
Es posible que la unidad necesite mantenimiento para eliminar el polvo de los catalizadores.

28.0 PIEZAS DE REPUESTO

Descripción	Nº de Catálogo
Conjunto de puerta de vidrio	H6055
Válvula de gas	H6059
Catalizador	H6060
Montaje del piloto	H6061
Conjunto de quemador	H6056
Kit de junta para catalizador	H6062
Regulador de la presión de entrada	H6063
Panel decorativo de vidrio	H6068

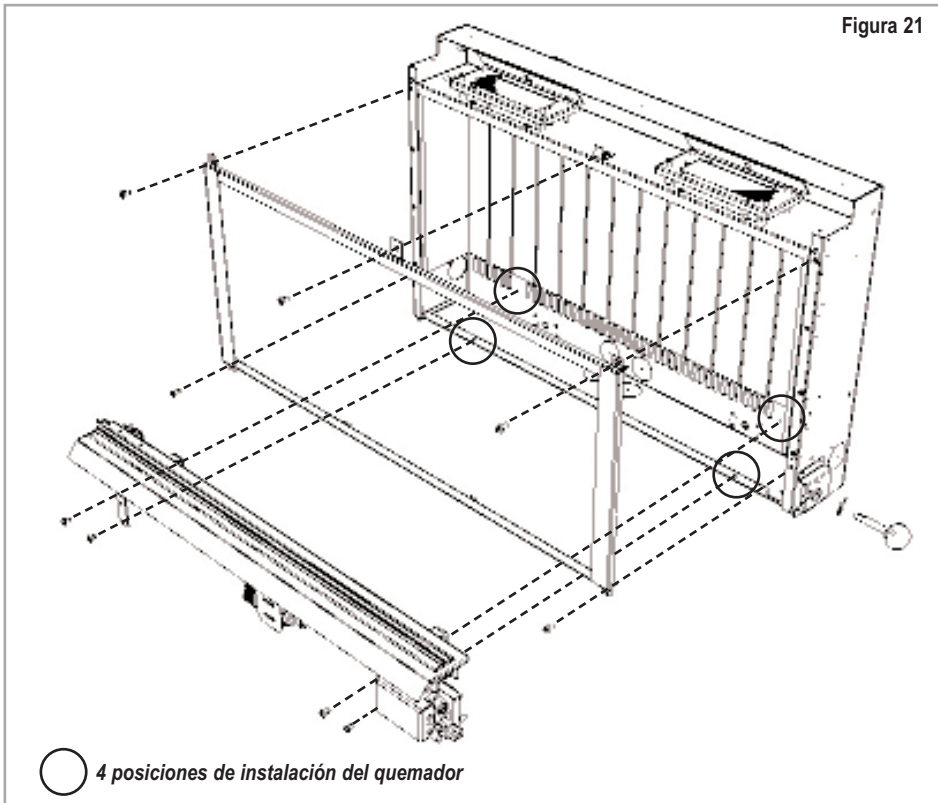
Si usted encuentra problemas, necesita piezas de repuesto o tiene alguna pregunta sobre la instalación del calentador, póngase en contacto con su distribuidor. Para saber cuál es el distribuidor más cercano a su domicilio, diríjase a:

LENNOX HEARTH PRODUCTS
1110 West Taft Avenue
Orange, CA 92865
Teléfono: 1-800-9-Lennox
visítenos en www.Lennox.com

Al pedir piezas de repuesto, proporcione siempre la siguiente información:

1. El número de modelo del calentador.
2. El número de serie del calentador.
3. El número de pieza.
4. La descripción de la pieza.
5. La cantidad solicitada.
6. La fecha de instalación del calentador.

Figura 21



ADVERTENCIA

EL NO UBICAR LAS PIEZAS EN LOS LUGARES SEÑALADOS EN ESTOS DIAGRAMAS, O LA UTILIZACIÓN DE PIEZAS NO HOMOLOGADAS OFICIALMENTE PARA EL USO CON ESTE CALENTADOR PUEDEN CAUSAR DAÑOS MATERIALES O LESIONES PERSONALES.

Figura 21: Remoción y reinstalación del conjunto de la puerta de vidrio y del conjunto del quemador.

Figura 22

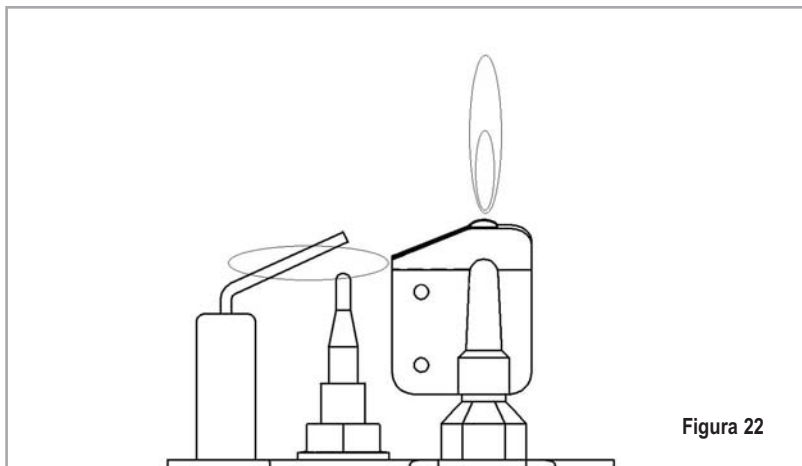


Figura 22: Comprobación visual de la llama del piloto.

Calentadores de gas, estufas y accesorios Lennox Hearth Products

Garantía limitada por 20 años

GARANTÍA

Lennox Hearth Products ("LHP") garantiza que su calentador de gas, aparato, estufa o accesorio ("el Producto") está libre de defectos de materiales y mano de obra en el momento de su fabricación. Después de la instalación, si alguno de los componentes del Producto fabricado por LHP presenta defectos de materiales o mano de obra durante el periodo de cobertura de la garantía de 20 años y mientras el Producto se conserve en el lugar de instalación original, LHP, a su opción, sustituirá o reparará los componentes defectuosos. Asimismo, correrán por cuenta de LHP los gastos razonables de mano de obra en los que se incurra para sustituir o reparar dichos componentes por un periodo de un año a partir de la fecha de instalación. EXISTEN EXCLUSIONES Y LIMITACIONES DE esta garantía limitada, las que se describen en este documento.

EXCLUSIONES Y LIMITACIONES

Esta Garantía limitada se aplicará sólo si el Producto se instala en los EE.UU. o Canadá y sólo si se utiliza y mantiene según las instrucciones impresas que acompañan el Producto y de acuerdo con la normativa aplicable de instalación y construcción, y las buenas prácticas comerciales. En caso de que la sustitución o reparación no sea comercialmente posible, LHP, a su opción, reembolsará el precio de compra del Producto LHP.

La cámara de combustión y la caja se garantizan por veinte (20) años a partir de la fecha de instalación de la siguiente en las siguientes condiciones: Primer año: piezas sin cargo y gastos razonables de mano de obra. Desde el segundo hasta el quinto año: sólo las piezas sin cargo. Desde el sexto hasta el vigésimo año: sólo las piezas al 50% del precio de lista vigente. Los componentes de ventilación y los de latón, la pintura, los accesorios opcionales y las puertas de vidrio opcionales quedan excluidas de la presente Garantía limitada. LHP ofrece una garantía limitada independiente para las puertas de vidrio opcionales fabricadas por LHP. Los siguientes componentes NO están garantizados por 20 años sino que están cubiertos por otro tipo de garantía en las condiciones que se establecen a continuación:

Controles: la reparación o sustitución por un año a partir de la fecha de instalación.

Queimador: la reparación o sustitución por un año a partir de la fecha de instalación.

Componentes de vidrio: la reparación o sustitución por un año a partir de la fecha de instalación. El vidrio cerámico se garantiza contra roturas térmicas sólo por un periodo de dos años a partir de la fecha de instalación.

Juntas: la reparación o sustitución por un año a partir de la fecha de instalación.

Leños: la reparación o sustitución por un año a partir de la fecha de instalación.

Catalizador: dos años las piezas y la mano de obra; desde el tercer hasta el quinto año, sólo las piezas a partir de la fecha de instalación.

LHP no responderá de: (a) los daños causados por accidentes, disturbios, incendios, inundaciones o caso fortuito; (b) los daños causados por abuso, negligencia, mal uso o modificación no autorizada ni reparación del Producto que afecte su estabilidad o rendimiento (El Producto debe ser sometido a un uso normal. El Producto está diseñado para usarse con gas natural o propano exclusivamente. El uso de combustibles convencionales como madera, carbón o cualquier otro combustible sólido dañará el Producto, generará temperaturas excesivas y provocará un peligro de incendio); (c) los daños que se produzcan por no proporcionarse el debido mantenimiento de acuerdo con las instrucciones provistas con el Producto; (d) los daños, las reparaciones o la ineficiencia que deriven de la instalación o el uso defectuosos del Producto.

Esta Garantía limitada sólo cubre las piezas y la mano de obra según lo establecido en este documento. En ningún caso LHP será responsable de los materiales, componentes o la construcción que no sean fabricados o provistos por LHP ni de la mano de obra necesaria para instalar, reparar o quitar estos materiales, componentes o construcción. Todos los componentes de reparación o sustitución se enviarán F.O.B. desde la fábrica de LHP más próxima.

LIMITACIÓN DE RESPONSABILIDAD

Se conviene y acuerda expresamente que la única obligación de LHP y el recurso exclusivo del comprador en virtud de esta garantía y de cualquier otra garantía, expresa o tácita, por responsabilidad contractual o extracontractual, o de otra naturaleza, se limitará a la sustitución, la reparación o el reembolso, según se especifica en este documento. En ningún caso LHP responderá de los daños indirectos o incidentales causados por defectos del Producto, ya sea que el daño se produzca o se detecte antes de la sustitución o reparación o después de ellas, y al margen de que el daño sea causado por negligencia de LHP. LHP no declara ni garantiza la aptitud para un uso o fin determinados y no existe ninguna condición implícita de aptitud para un uso o fin determinados.

No concedemos ninguna otra garantía expresa salvo lo establecido en la presente Garantía limitada. El periodo de vigencia de cualquier garantía tácita se limita al de la presente garantía expresa.

Ninguna persona está autorizada a modificar la presente Garantía limitada ni a crear en nuestro nombre ninguna otra obligación o responsabilidad relacionada con el Producto. Algunos estados y provincias no permiten la exclusión o limitación de los daños indirectos o incidentales; por lo tanto, es posible que las limitaciones o exclusiones antes mencionadas no se apliquen en su caso. Las estipulaciones de la presente Garantía limitada se agregan a las garantías legales y los demás derechos y recursos establecidos en la ley, y no los modifican ni excluyen.

INVESTIGACIÓN DE RECLAMACIONES DE LA GARANTÍA

LHP se reserva el derecho de investigar todas y cada una de las reclamaciones en virtud de la presente Garantía limitada y determinar el método de resolución.

LHP NO RESPONDERÁ DEL TRABAJO REALIZADO SIN SU CONSENTIMIENTO POR ESCRITO

Para gozar de los beneficios y las ventajas que se describen en la presente Garantía limitada, el aparato debe ser instalado y reparado por un contratista con licencia, autorizado por LHP. Dirijase a LHP en la dirección que se indica en este documento a fin de obtener una lista de los distribuidores autorizados. En ningún caso, LHP responderá del trabajo cubierto por la garantía y realizado por un contratista que no está autorizado sin el consentimiento previo por escrito de LHP.

CÓMO PRESENTAR UNA RECLAMACIÓN EN VIRTUD DE LA GARANTÍA

Para que la reclamación en virtud de la presente Garantía sea válida, debe notificarse a LHP el defecto reclamado por escrito con la mayor brevedad posible, una vez que se lo haya detectado. La notificación debe dirigirse a LHP, atención Customer Service Department (Departamento de Atención al Cliente), 1110 West Taft Avenue, Orange, CA 92865. En las reclamaciones por escrito debe incluirse la fecha de instalación y una descripción del defecto.

NOTA: LOS DIAGRAMAS Y LAS ILUSTRACIONES NO ESTÁN A ESCALA

Lennox se reserva el derecho de modificar, en cualquier momento y sin previo aviso el diseño, los materiales, las especificaciones y los precios, así como también discontinuar colores, estilos y productos.

Consulte a su distribuidor local para obtener información sobre los códigos del calentador.