



**fire feature**



# Installation Operation & Maintenance

## L42DF-ST

(See-thru)

For Indoor Use

## Direct-Vented Gas Fireplace

### Safety Notice:

Glass doors on gas fireplaces are extremely hot while the fireplace is on and remain hot even after the fireplace has been turned off. Safety screens are available and can reduce the risks of severe burns. Please keep children away from the fireplace at all times.

Check local codes and read all instructions prior to installation.

### Warning:

Improper installation, adjustment, alteration, service or maintenance can cause injury or property damage. Refer to this manual. For assistance or additional information consult a qualified installer, service agency or the gas supplier.

### For Your Safety:

Do not store or use gasoline or other flammable vapors and liquids in the vicinity of this or any other appliance.

- *Installer: Leave this manual with the appliance.*
- *Consumer: Leave this manual for future reference.*

### What To Do If You Smell Gas:

- Do not try to light any appliance.
- Do not touch any electrical switch; do not use any phone in your building.
- Immediately call your gas supplier from a neighbor's phone. Follow the gas supplier's instructions.
- If you cannot reach your gas supplier, call the fire department.



# Table Of Contents

**Introduction** ..... 2

**Installation**

- Installing and Framing the Fireplace ..... 3
- Installing the Gasline ..... 4
- Vent Installation ..... 4
  - Installation Requirements ..... 4
  - Installing the Remote Switch ..... 5
  - Vent Terminations ..... 5
- Top Vent Runs ..... 6 - 7
- Side Vent Runs ..... 7 - 9
- Finishing around the fireplace
  - Fireplace Facing ..... 10
  - Mantels and Surrounds ..... 10
- Wiring ..... 10
  - Wiring for the Optional Fan Kit ..... 11
- Removing and Installing the Door ..... 11

**Operation** ..... 12 - 15

**Maintenance** ..... 15 - 16

- Troubleshooting ..... 16
- Spare Parts

**Warranty** ..... 18

**Appendix**

- A. Termination Locations ..... 19
- B. State of Massachusetts / Amendment ..... 20

**Notes** ..... 21

**CAUTIONS**

Due to its high operating temperatures, the appliance should be located out of traffic & away from furniture and draperies.

- ▶ Children and adults should be alerted to the hazards of the high surface temperature, which could cause burns or clothing ignition.
- ▶ Young children should be carefully supervised when they are in the same room as the appliance.
- ▶ Clothing or other flammable materials should not be placed on or near the appliance.

# Introduction


Thank You for choosing a Montigo Gas Fireplace.

**About this Fireplace:**

The **L42DF-ST** (See-thru) are fireplaces' with a linear-style burner. These fireplaces can be converted to both a Top Vent or Rear Vent application, and are only available in a L42DF-ST model.

- The **L42DF-ST** (See-thru) is rated for Natural Gas at 34,000 Max. BTU/H (9.96) Kilowatts Input and 25,000 Min. BTU/H (7.33) Kilowatts.
- ▶ **L42DF-ST**; Top Vent, Millivolt Pilot.
  - ▶ **L42DF-ST-I**; Top Vent, Intermittent Pilot (HSI).
  - ▶ **L42DF-ST-A**; Top Vent, Electronic Ignition, (American Flame).
  - ▶ **L42DF-ST-F**; Top Vent, Electronic Ignition, (HSI).

This manual covers installation, operation and maintenance. Lighting, operation and care of this fireplace can be easily performed by the homeowner. However, all installation and service work should be performed by a qualified or licensed installer, plumber, or gas fitter who is qualified or licensed by the state, province, region, or governing body in which the appliance is being installed.

This manual covers all models and unless otherwise specified, the designation **L42DF-ST** refers to all variations of the model above. Sections which are specific to a particular variation are marked with a  symbol, plus the appropriate model number.

**Warranty and Installation Information:**

The Montigo warranty will be voided by, and Montigo disclaims any responsibility for, the following actions:

- ▶ Modification of the fireplace and/or components including Direct-Vent assembly or glass doors.
- ▶ Use of any component part not manufactured or approved by Montigo in combination with this Montigo fireplace system.
- ▶ Installation other than as instructed in this manual.

Consult your local Gas Inspection Branch on installation requirements for factory-built gas fireplaces. Installation & repairs should be done by a qualified contractor.

**Installations in Canada** must conform to the current **CAN/CGA B-149.1** and **.2** Gas Installation Code and local regulations. If the optional air-circulating fan kit is installed, it must be electrically grounded in accordance with **CSA C22.1** Canadian Electrical Code Part 1 and/or Local Codes.

**Installations in the USA** must conform to local codes, or in the absence of local codes to the National Fuel Gas Code, **ANSI Z223.1-1988**. If the optional air-circulating fan is installed, it must be grounded in accordance with local codes or, in the absence of local codes, with the National Electrical Code, **ANSI/NFPA 70-1987**. Within the State of Massachusetts this fireplace must comply with NFPA-54 Chapter 10.

**WARNING:**

When this appliance is installed directly on carpeting, tile or any combustible material other than wood flooring, it must be installed on a metal or wood panel extending the full width and depth of the appliance.

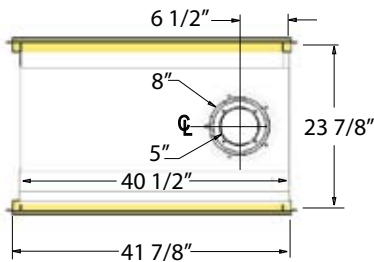
# Installation



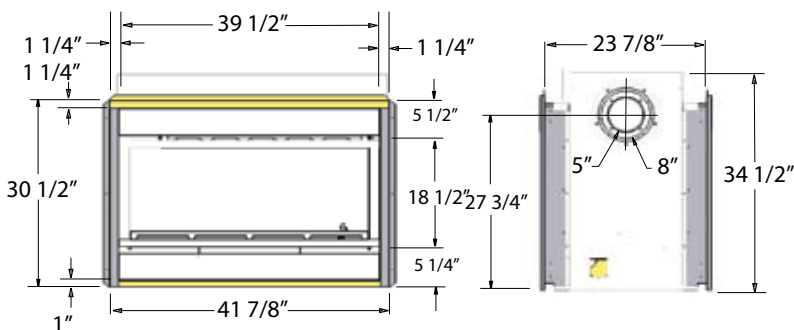
## Installing The Fireplace Shell

The L42DF-ST fireplace may be installed in any location that maintains proper clearances to air conditioning ducts, electrical wiring and plumbing. Safety, as well as efficiency of operation, must be considered when selecting the fireplace location. Try to select a location that does not interfere with room traffic, has adequate ventilation, and offers an accessible pathway for Direct Vent installation. Refer to page 4 - *Vent Installation* for more information.

The fireplace dimensions are shown below:



Top View



Front View

Side View

Figure 1. Fireplace dimensions.

### Clearances

These clearances apply to all dimensions **except the framed opening**, where the clearance to combustibles is **0"**. The **L42DF-ST** clearance to unprotected combustible walls which are perpendicular to the fireplace opening, must not project beyond the shaded area shown in Fig. 24.

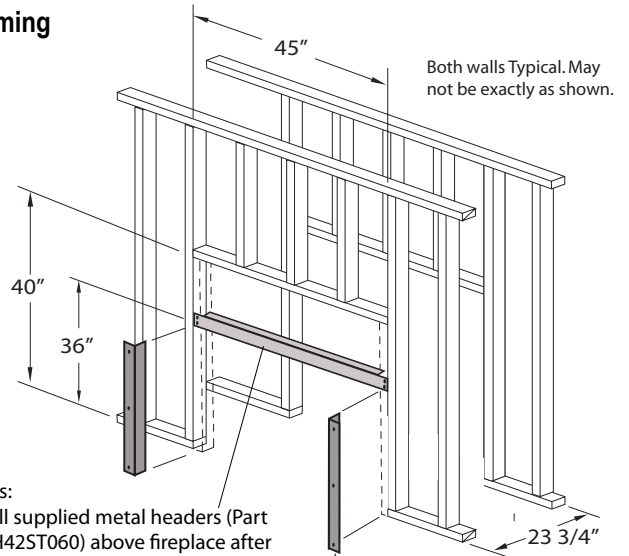
For protection against freezing temperatures, it is recommended that outer walls of the chase be insulated with a vapor barrier. This will reduce the possibility of a cold-air convection current on the fireplace.

Top (Top Vent)	12"
Top (Rear Vent)	12"
Sides	2"
Floor	0"
Mantle	4"
Back	2"
Vent Ring	1"

\* Clearance from top of the **Fireplace** to a combustible ceiling within the fireplace enclosure.

\*\* Refer to Pages, 10 & 11.

## Framing



### Notes:

Install supplied metal headers (Part No. H42ST060) above fireplace after unit is in place.

Use supplied hardware to attach to framing. Both Walls Typical. May not be exactly as shown.

Framing Kit, 4-pcs. (Part No. L42FS01B) Install with supplied hardware. Both walls and sides Typical. See Figure 2a below.

Figure 2. Framing dimensions.

When installing a shelf over the top of the fireplace, the following guidelines must be adhered to:

For Top and Rear Vent applications the minimum clearance from the top of the fireplace to combustible shelf framing is 12". (*Minimum 2" clearance must still be maintained around the vent pipes.*)

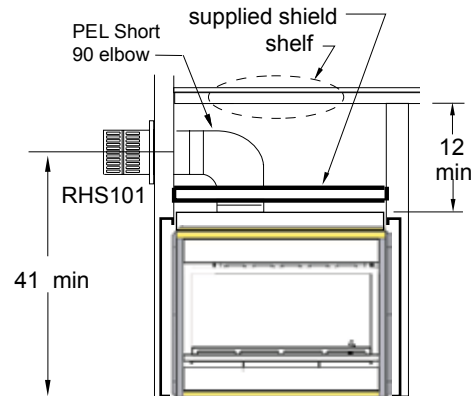


Figure 2a. Framing dimensions. (Top Vent)

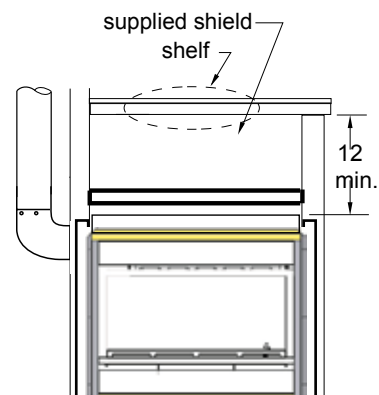


Figure 2b. Framing dimensions. (Rear Vent)



# Installation

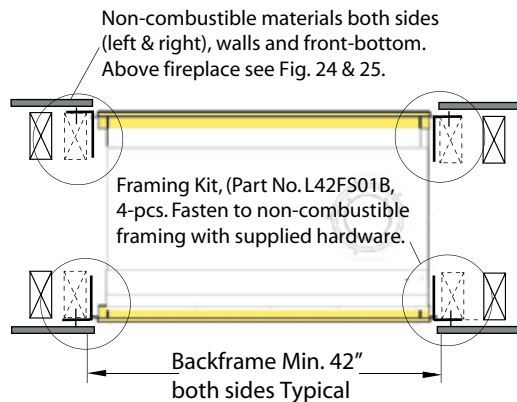


Figure 2a. Backframe dimensions.

## Installing The Gas Line

The gas line must be installed before completing the installation of the L42DF-ST Fireplace. **Natural Gas** requires a minimum inlet gas supply pressure of 5.5" W.C. & a manifold pressure of 3.5" W.C. Provision must also be made for a 1/8" N.P.T. plugged tapping and be accessible for test gauge connection immediately upstream of the gas supply controls to the appliance. The fireplace gas connection and the main operating gas valve is located behind the removable trim at the bottom of the unit and need only be attached to the gas line with an approved fitting, as required by the **applicable installation codes**.

To access the fireplace gas connection the main burner must be removed as shown below in figure 5a.

- Only use gas shut-off valves approved for use by the state, province, region, or governing body, in which the appliance is being installed, or as required by the applicable installation codes.
- Flexible gas connectors must not exceed 3 feet in length, unless it is allowable within applicable installation codes.

The appliance and its individual shut-off valve must be disconnected from the gas supply piping system during any pressure testing of that

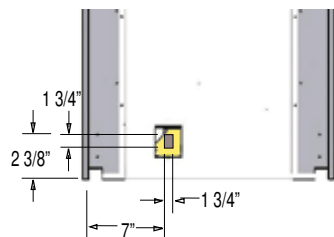


Figure 5a. Gas line access.

system at test pressures in excess of 1/2 psig (3.5 kPa).

The appliance must be isolated from the gas supply piping system by closing its individual manual shut-off valve during any pressure testing of the gas supply piping system at test pressures equal to or less than 1/2 psig (3.5 kPa).

**Note:** After gas line is connected, **each appliance connection, valve and valve train** must be checked while under normal operating pressure with either a liquid solution, or leak detection device, to locate any source of leak. Tighten any areas where bubbling appears or leak is detected until bubbling stops completely or leak is no longer detected. **DO NOT use a flame of any kind to test for leaks.**

## Vent Installation

This section covers the installation of direct venting and terminations.

### Installation Requirements

- L42DF-ST fireplace is certified for use with Montigo Standard Series (5" / 8") venting components.
- Minimum **clearance to combustible construction around the vent pipe is 1"** on all sides, except on horizontal venting where the **top** of the pipe must have a clearance of at least 2".
- Use only *certified Montigo vent components*. (Use of other parts will void the Montigo warranty, and may impede the operation of the fireplace.)
- All joints must be secured with a minimum of two screws per joint
- Vent terminations must not be recessed in walls or siding
- Horizontal runs must be supported by a minimum of two supports per horizontal run. A minimum of one screw on each side of support is also required
- Flex vent sections may be stretched up to 50% of their total length (eg. a 24" section may be stretched to 36")
- Maximum horizontal run with no vertical rise is 6 feet.
- Flex vent sections over 6 feet must fall within the limits set by the venting graph and must have a minimum vertical rise of 3 inches per foot of flex.
- Solid vent sections may be cut less than half way from the female end
- Venting components can be used in any combination of solid/rigid pipe or flex pipe and in any orientation (Male connectors can face in any direction)

### Cautions:

- Vent terminations can be very hot. If the termination is less than 7 feet above a public walkway, it should be fitted with a certified Montigo Heat Guard. (Part no. PTKOG).
- Do not obstruct, or attempt to conceal, the vent termination. These actions will affect the operation of the fireplace, and may be hazardous.
- In heavy snow areas, take extra care to prevent snow buildup from obstructing the vent termination.
- Use Montigo VSS Vinyl Heat Shield when using on applications with vinyl siding to guard against possible damage.

## Installing The Remote Switch

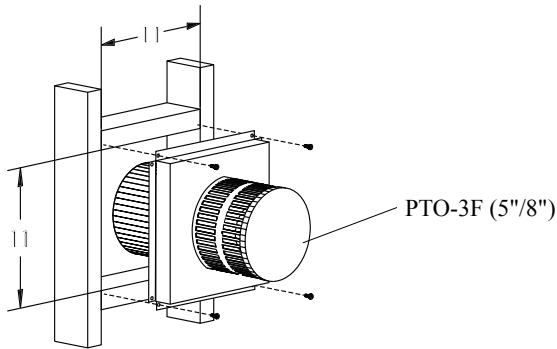
The L42DF-ST's gas valve, located behind the lower trim, may be connected to a wall switch. The valve generates its own power on a **millivolt circuit**. Use only **low voltage wire**, and **DO NOT** connect any external power to it.

**Note:** The switch location must not exceed 30' from the fireplace.

# Installation

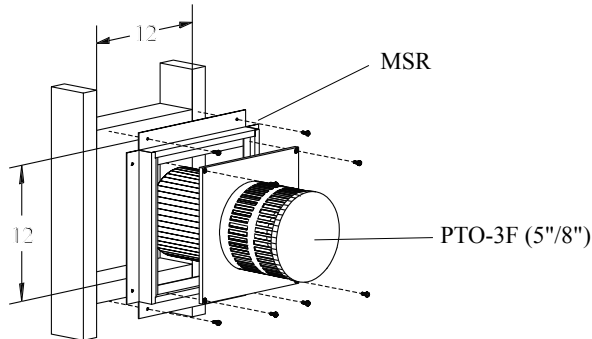


## Installing Terminations with Built-In Frames



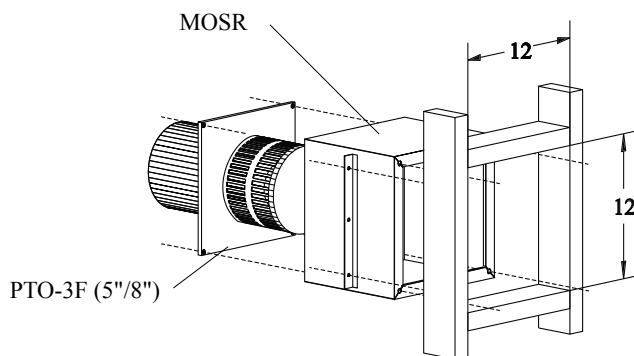
1. Frame the termination opening to 11" x 11".
2. Fasten the termination to the studs using a minimum of 4 screws.

## Installing Terminations with MSR Frames



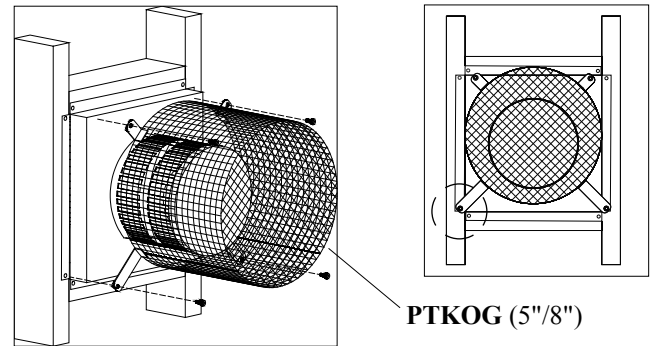
1. Frame the termination opening to 12" x 12".
2. Fasten the termination to the studs using a minimum of 4 screws.

## Installing Terminations with MOSR Frames



1. Frame the termination opening to 12" x 12".
2. Fasten the MOSR frame to the interior side of the studs using a minimum of 4 screws.
3. Insert the termination into the MOSR frame as shown here, and attach by screwing through the four pilot holes in the termination.

## Installing Heat Guards over Terminations



1. Ensure that the two **long** mounting brackets are facing the bottom of the termination. (See inset). This will provide more heat protection at the top of the termination, where temperatures are highest.
2. Attach to the faceplate of the termination using four sheet metal screws.

## Installing the Nailing Flange Extension

Once the fireplace is placed into the rough framed opening, and the supplied steel lintel is in place, (Part No. L42087) (see Figure 2), the supplied nailing extension must be placed along the top edge of the fireplace and securely fastened in place to the metal lintel, and combustible wood framing.

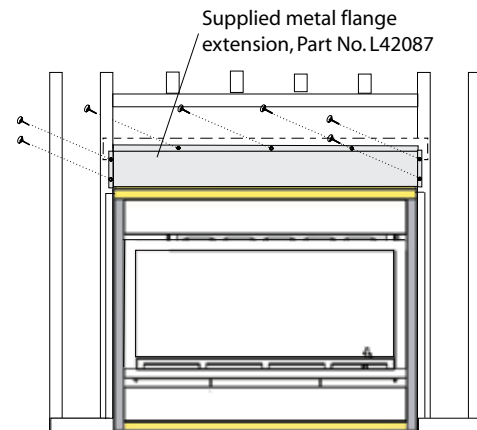


Figure 6c. Installing the Nailing Flange Extension.

# Installation



## Top Vent Venting Runs

### Example A: (Unacceptable Installation)

If the vertical dimension from the hearth is 108" and the horizontal run to the wall flange of the vent termination is 180", **this would NOT be an acceptable installation.**

### Example B: (Acceptable Installation)

If the vertical dimension from the hearth is 54" and the horizontal run to the wall flange of the vent termination is 78", this would be an acceptable installation.

### Example C: (Unacceptable Installation)

If the vertical dimension from the floor of the fireplace is 90" and the horizontal run to the wall flange of the vent termination is 108", **this would NOT be an acceptable installation.**

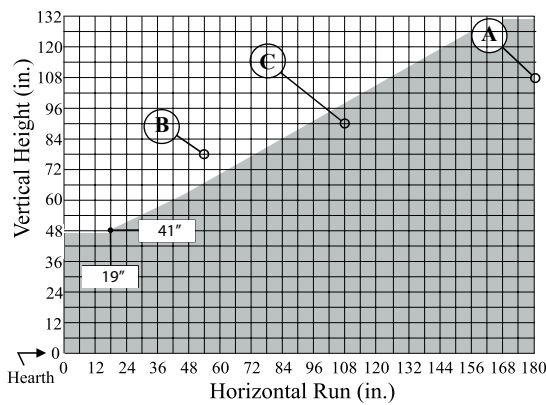


Figure 7b. L42DF-ST Top Vent Venting Graph

**NOTES:** All dimension lengths for vertical or horizontal runs are measured from centre of the vent pipe. Venting runs *must* fall within the limits set by the venting graph (see Figure 9a).

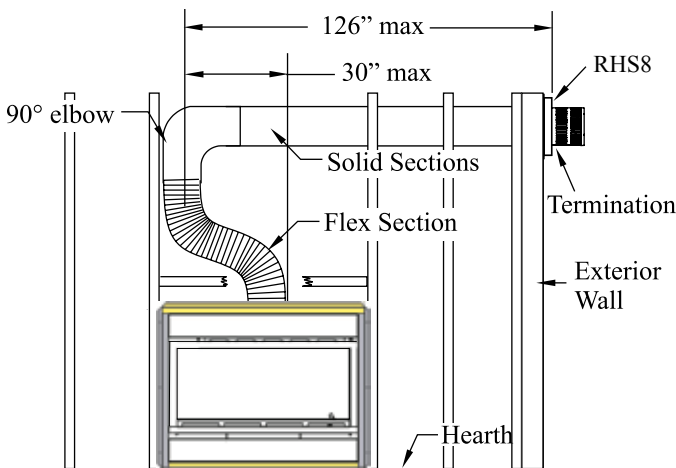


Figure 8. Retracted Installation using a combination of solid and flex venting. Use the vent graph to determine your allowable run, then select appropriate components.

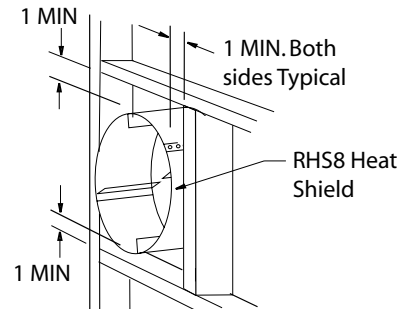


Figure 8a. RHS8 Installation. (Install by sliding over vent pipe where it passes through the combustible construction.)

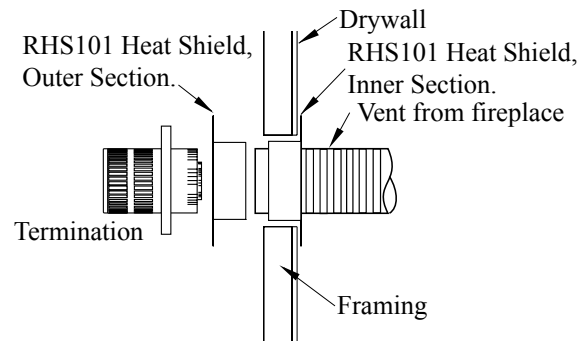


Figure 8b. RHS101 Installation. (Install by sliding over vent pipe where it passes through the combustible construction.)

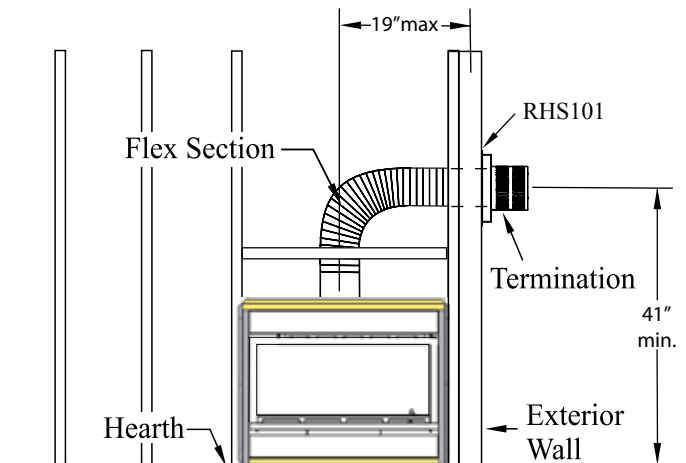


Figure 9. Horizontal flex installation with MIN vertical rise.

## B. Vertical (Through-The-Roof) 5/8 Installations

- Vertical rise >12' can be reduced (on applicable models).
- Vertical Terminations must be installed:
  - minimum 2' (two feet) above the highest point where vent passes through the roof.
  - minimum 6' (six feet) from a mechanical air inlet
  - minimum 18" (1 1/2 feet) from a parapet wall.
- Maximum vent height is:
  - 32 feet above fireplace.

# Installation

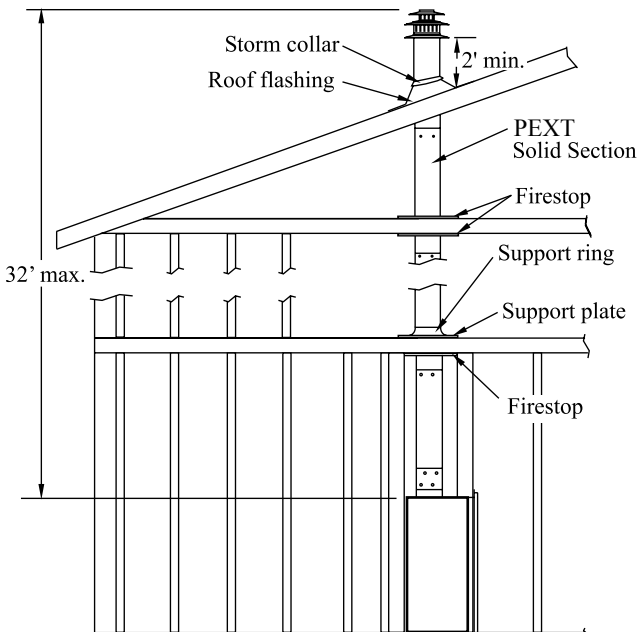
Note: Flame characteristics will change if the maximum vent height is used.

- A maximum of two offsets (each offset has two 90° bends) may be made and shall not exceed total length of 25% of the vertical vent height, when measured center to center of piping.

Example: Typical vent installation.  
 20' vertical vent  
 2 - 2' offsets required  
 25% of 20' = 5' max. offset allowed

This venting configuration meets requirements.

5" / 8" Venting	
A - Termination	PVTK-1
B - Flex Sections	PFL-1 (12" Section) PFL-2 (24" Section) PFL-3 (36" Section) PFL-4 (48" Section)
C - Rigid Sections	PEXT-1 (12" m/f Section) PEXT-2 (24" m/f Section) PEXT-3 (36" m/f Section) PEXT-4 (48" m/f Section)
D - Support Ring & Plate	PSPXT-8
E - Firestop	PS-8
F - Roof Flashing	PRF-7 (1/12 - 7/12 pt.) PRF-7 (7/12 - 12/12 pt.)
G - Adaptor / Vent Reducer	PVA5487 (5"/8" to 4"/7")



\* For venting MIN 1" clearance to all vertical combustibles, MIN 2" to all horizontal combustibles.

Figure 10. Straight, vertical venting showing required PXT-10 adaptor (supplied with the PVTK-1 termination).

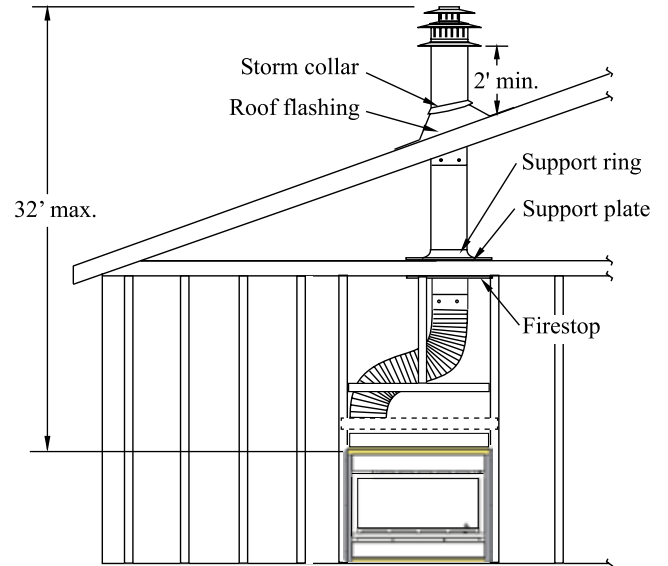
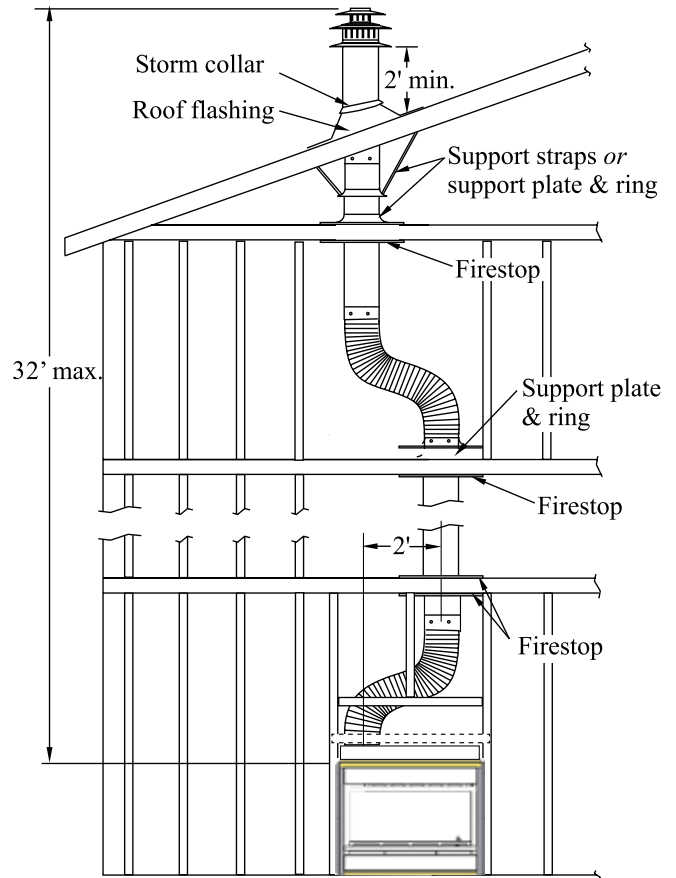


Figure 11. Vertical venting with 1 offset (1 offset= two 90° bends).



\* For venting with four 90° a restrictor may need to be used. (PEXT 5/8 Vent).

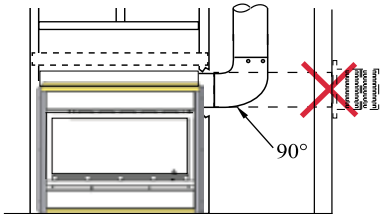
Figure 12. Vertical venting with 2 offsets (1 offset= two 90° bends).

# Installation



## Side Vent Venting Requirements

The L42-ST can Only be rear vented as shown in Figure 15, 16, 17, 17a, 17b. The vent Must exit the fireplace using a 90 degree elbow and run vertical through the roof, etc.



**Figure 15.** Side Venting of L42-ST. (Must be as shown in Figure 15, 16, 17, 17a, and 17b.)

**NOTES:** All dimension lengths for vertical or horizontal runs are measured from centre of the vent pipe.  
Venting runs *must* fall within the limits set by the venting graph (see Figure 7b).

## Horizontal Vent Installation

Vent systems that terminate through a wall may comprise up to seven different components:

A - Termination	PTO-3 PTO-3F
B - Stucco Kits	MSR (stucco frame) MOSR (stucco can)
D - Flex sections	PFL-1 (12" section) PFL-2 (24" section) PFL-3 (36" section) PFL-4 (48" section)
E - Rigid sections	PEXT-1 (12" section) PEXT-2 (24" section) PEXT-3 (36" section) PEXT-4 (48" section)
F - Extensions	PXT- 5 (5" section) PXT-10 (10" section)
G - 90° elbow	PEL-90F/F PEL-90M/M
H - Heat Shield	RHS101 ( for 5"/8" venting)
I - Heat Shield	RHS 8 (for Top Venting)

## Short Configurations:

For installations straight through the wall, use an PTO-3/-3F termination and PXT-5 or PXT-10 to achieve the desired length. The maximum horizontal vent run with no vertical lift is 12". See Figure 16.

## Heat Shields

Due to high flue temperatures, the heat shield (RHS101) must be used on all installations straight through the wall, at the point where the vent pipe connects to the termination. With the heat shield, vent clearances can be maintained at 1". The heat shield is not included with the fireplace.

To install the heat shield, slide one section over the vent pipe on the inside of the wall opening, with the circular portion inside the wall cavity. Screw the shield in place over the wall opening. Install the second section on the outside of the wall opening sliding the circular portion into the wall opening. Refer to Figure 15.

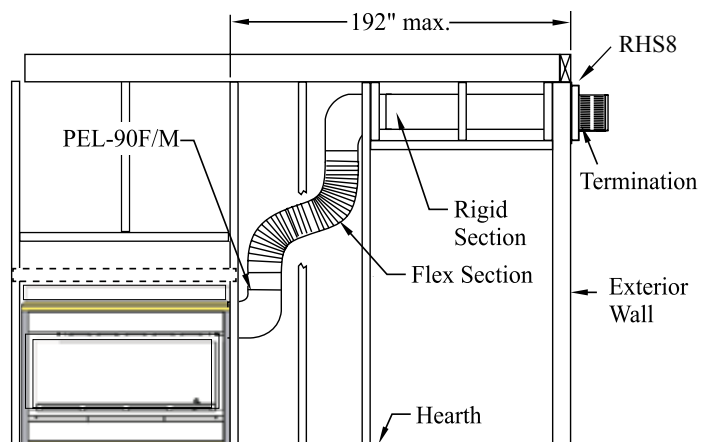
## Long Vent Runs:

For longer or more complex vent runs, vertical lift is required. First ensure that the planned run is acceptable using the Vent Graph. Plan out the required components using the chart above. You may be able to use fewer components using the chart on Page 8.

### Example:

A 10' section of rigid pipe and a 90° elbow may be used in conjunction with a 3 ft. flex section (PFL-3) will, when extended in a chase, allow for a maximum horizontal run of twelve and one-half feet from the centre of the fireplace to outside wall and a minimum of 7'6" when retracted in opposite direction. (See Figure 16.)

"D" flex sections and "E" solid sections may be used in conjunction with one another to obtain different possible horizontal length installations. NOTE: Flex section must not exceed maximum horizontal length of 3 feet, and for this application the top clearance is to the ceiling.



**Figure 16.** Extended horizontal installation using a combination of rigid and flex venting.



# Installation

## Vertical Vent Installations

- Vertical vent Installations.
  - minimum 2' (two feet) above the highest point where vent passes through the roof.
  - minimum 6' (six feet) from a mechanical air inlet
  - minimum 18" (1 1/2 feet) from a parapet wall.
- Maximum vent height is 32 feet above fireplace.
 

Note: Flame characteristics will change if the maximum vent height is used.
- Minimum clearance to combustible construction around the vent pipe is 1" on all sides must be maintained, except on horizontal venting where the top of the pipe must have a clearance of at least 2".

### 1. Straight Vertical Installation

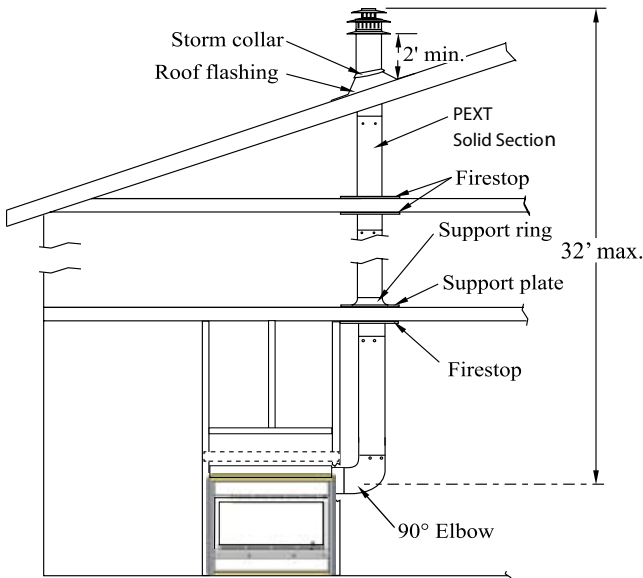


Figure 17. Straight, vertical venting run.

### 2. Offset Vertical Installations

- A maximum of two offsets (each offset has two 90° bends) may be made if the length of the offsets does not exceed 25% of the vertical vent height, when measured center to center of piping.

Example: Typical vent installation.  
 32' vertical vent  
 2 - 2' offsets required  
 25% of 30' = 7-1/2' max. offset allowed

This venting configuration meets requirements.

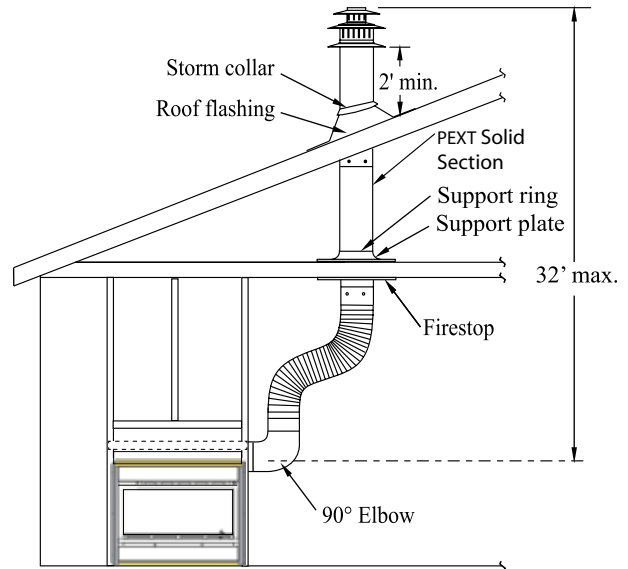


Figure 17a. Vertical venting with 1 offset (1 offset= two 90° bends).

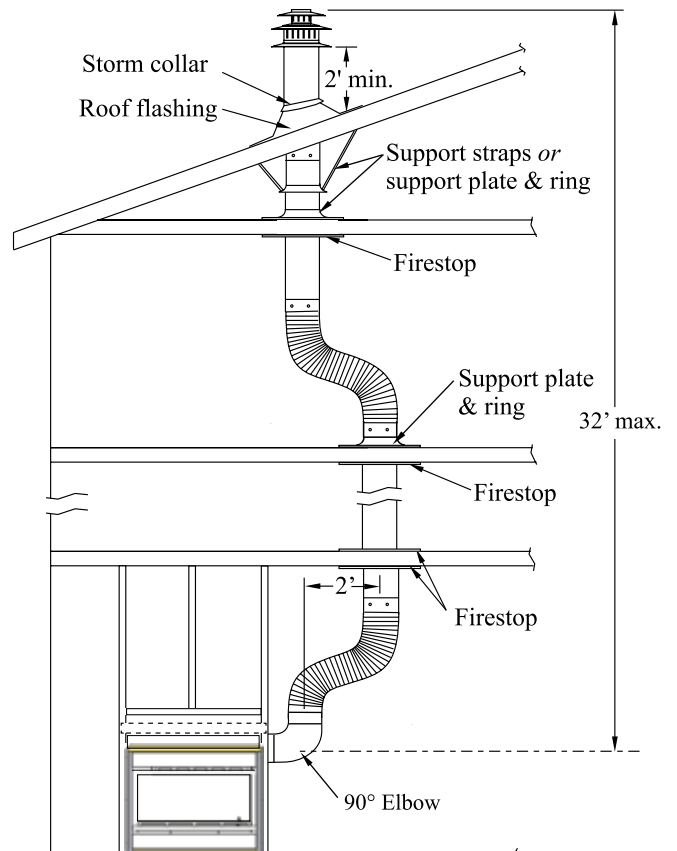


Figure 17b. Vertical venting with 2 offsets (1 offset= two 90° bends).

# Installation



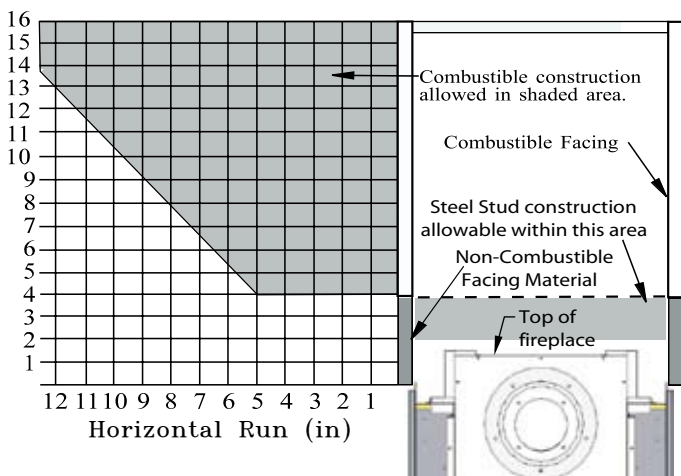
## Finishing Around the Fireplace

Combustible mantels and mouldings may be safely installed over the top and on the front of the fireplace provided that they do not project beyond shaded area shown in **Figure 24**. Side wall clearances are 3". Combustible surrounds may be installed with 3" clearance to the side of the fireplace as shown in **Figure 25**.

### Fireplace Facing

When selecting the finish material for your fireplace, it is important to remember the following: **THE HORIZONTAL LOUVRES MUST NOT BE OBSTRUCTED IN ANY WAY - to do so restricts the air supply for the control compartments and heat exchanger it also prevents access for servicing controls.**

The face of the fireplace may be painted to match the room decor, provided you use a heat-resistant paint. Decorative facing must not extend past the fireplace opening at all, because it will interfere with the access to retainers for removal of glass door.



**Figure 24.** Combustible mantles and facings.

### Mantels & Surrounds

**NOTE:** National Canadian Gas Association mantel test requirements are for fire hazard prevention to combustible materials.

New technology, to meet consumer and government demands for the wise use of energy, has prompted us to manufacture many models of fireplaces which are hot, fuel and energy efficient.

Please be aware; temperatures over the mantel will rise above normal room temperature and walls above fireplace may be hot to touch.

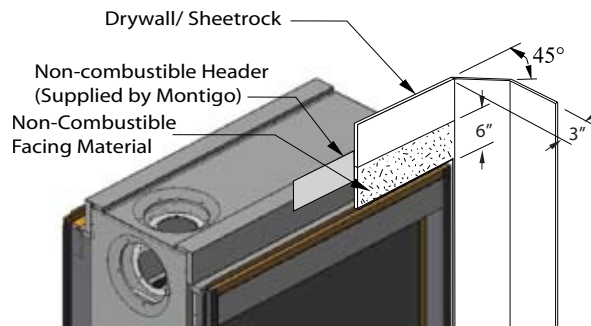
### Warning:

When covering the upper metal portion of the fireplace with a non-combustible material Please Note: The decorative facing materials may be subject to temperatures in excess of 250° F. This should be considered when selecting facing materials.

We recommend careful consideration be given to the effects of elevated mantel temperatures which may be in excess of product design, for example: candles, plastic or pictures. This can cause melting, deformation, discoloration or premature failure of T.V. and radio components.

### Painting:

Special care is recommended by the Master Painters and Decorators Association, when painting the fireplace surrounds, to select and apply a quality **Alkyd sealer** prior to the applying of latex paints. This is to prevent leaching of water from evaporation and causing a brownish staining effect to paint over coats.

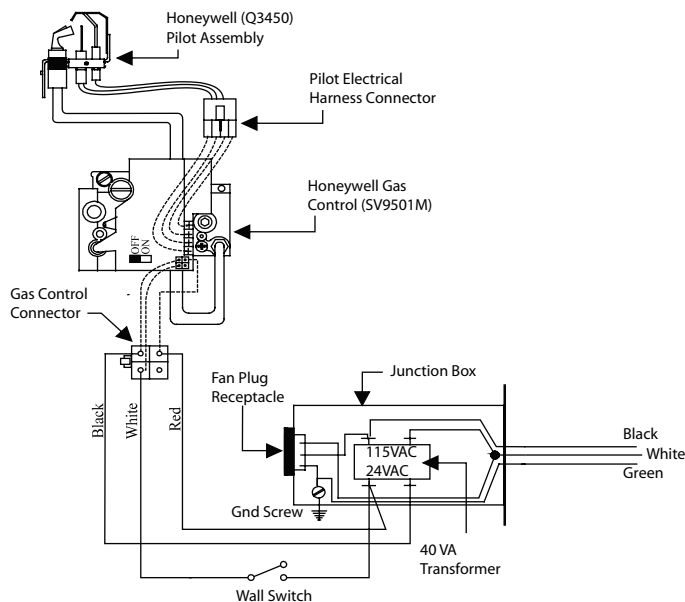


**Figure 25.** Combustible surrounds, (Both Sides Typical).

## Wiring

### Gas Control and Pilot Wiring

L42DF-ST-I



**Figure 26.** Wiring for the L42DF-ST-I with Honeywell gas control and pilot.

### Wiring for the optional Fan Kit

All L42DF-ST fireplaces may be equipped with optional fan kits for circulating heat into the living space.

**Installations in Canada** which employ the fans must be electrically grounded in accordance with **CSA C22.1** Canadian Electrical Code Part 1 and/or Local Codes.

**Installations in the USA** which employ the fans must be grounded in accordance with local codes or, in the absence of local codes, with the National Electrical Code, **ANSI/NFPA 70-1987**.

For more information see the **Fan Kit Installation Guide** included with the fan kit.

# Installation



**NOTE:** If any of the original wire supplied with the appliance is replaced, it must be replaced with the same type, or its equivalent.

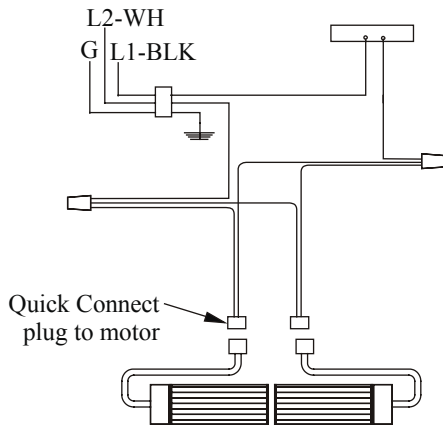


Figure 27a. Wiring for optional fans.

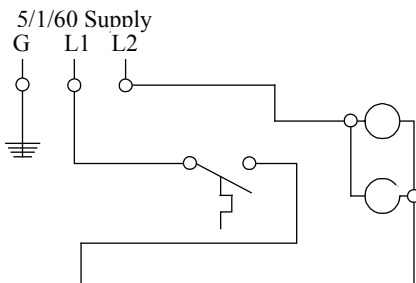


Figure 27b. Wiring schematic for optional fans.

## Removing and Installing the Doors

### Removing the doors:

The doors are held in place by a lip on the top of the metal frame and two buckles at the bottom. Release the buckles and lift the door carefully up and away from the front of the fireplace. See figures 28a and 28b.

### Installing the doors:

Hook the top edge of the door frame into place. Lower and rest the door frame in place and fasten the buckles. See figures 28a and 28b.

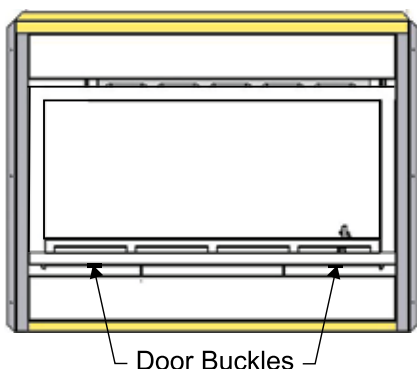


Figure 28a. Removing and installing the glass doors. (Both Sides Typical)

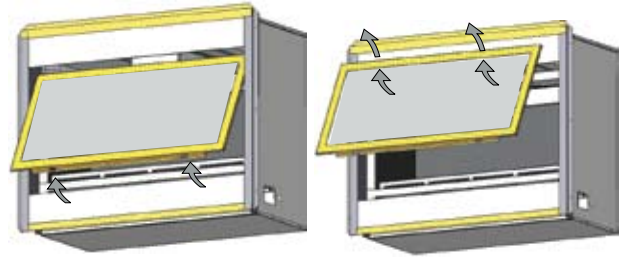


Figure 28b. Removing and installing the glass doors. (Both Sides Typical)

### Cautions:

- DO NOT OPERATE THIS FIREPLACE WITHOUT THE GLASS DOOR OR WITH A BROKEN GLASS DOOR.

## Installing the Glass Beads and Optional Rocks

L42DF-ST

### Beads

The L42DF-ST is supplied with three bags of Designer Glass beads. Place them randomly across the pan, surrounding the burners as shown in Figure 28c.

### Optional River Rocks

The L42DF-ST has optional cultured rocks which mimic real stone, yet designed to withstand a high temperature environments. These may be spaced at random, or in a visual patten of your preference.

**Ensure the rocks or beads do not cover the Burners.**



Figure 28c. Installation with glass beads .



L42DF-ST

# Operation - Model L42DF-ST

## with Continuous Pilot

### For Your Safety - READ BEFORE LIGHTING:




**WARNING:** If you do not follow these instructions exactly, a fire or explosion may result causing property damage, personal injury or loss of life.

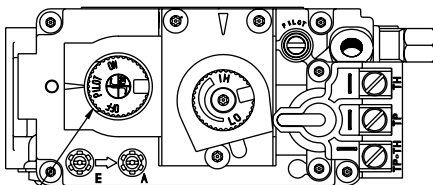
- A. This appliance has a pilot which must be lighted by hand. When lighting the pilot, follow these instructions exactly.
- B. **BEFORE LIGHTING** smell all around the appliance area for gas. Be sure to smell next to the floor because some gas is heavier than air and will settle on the floor.
 

**What To Do If You Smell Gas:**

  - Do not try to light any appliance.
  - Do not touch any electrical switch; do not use any phone in your building.
  - Immediately call your gas supplier from a neighbour's phone. Follow the gas supplier's instructions.
- If you cannot reach your gas supplier, call the Fire Department.
- C. Use only your hand to push in or turn the gas control knob. Never use tools. If the knob will not push in or turn by hand, don't try to repair it, call a qualified service technician. Force or attempt to repair may result in a fire or explosion.
- D. Do not use this appliance if any part has been under water. Immediately call a qualified service technician to inspect the appliance and to replace any part of the control system, and any gas control which has been under water.

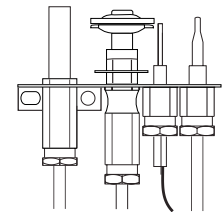
### Lighting Instructions:

1. **STOP!** Read the safety information above on this label.
2. Lift out the lower Horizontal access panel.
3. Push in gas control knob and turn clockwise  to "OFF."
4. Wait five (5) minutes to clear out any gas. Smell for gas, including near the floor. If you then smell gas, **STOP!** Follow "B" in the safety information above on this label. If you don't smell gas, go to the next step.
5. Locate pilot burner (*See illustration at right.*) and follow steps below.
6. Turn knob on gas control counter clockwise  to "PILOT."
7. Push in gas control knob completely and hold. Light with Piezo Igniter button. Continue to hold the control knob in for about (1) minute after the pilot is lit. Release the knob and it will pop back up. Pilot should remain lit. If it goes out repeat steps 3 through 8.
  - If knob does not pop up when released. Stop and immediately call your service technician or gas supplier.
  - If the pilot will not stay lit after several tries, turn the gas control knob to "OFF" and call your service technician or gas supplier.
8. Push in gas control knob and turn counter-clockwise  to "ON."
9. Replace the lower Horizontal access panel.




Gas Control Knob  
(Shown in "Pilot" position.)

**NOTE:** Gas control knob cannot be turned from "PILOT" to "OFF" unless knob is pushed in slightly. Do not force.



### To Turn Off Gas To Appliance:

1. Turn off remote switch.
2. Lift out the lower Horizontal access panel.
3. Push in gas control knob slightly and turn  clockwise to "Off". Do not force.
4. Replace the lower Horizontal access panel.



**with Honeywell Electronic Ignition**

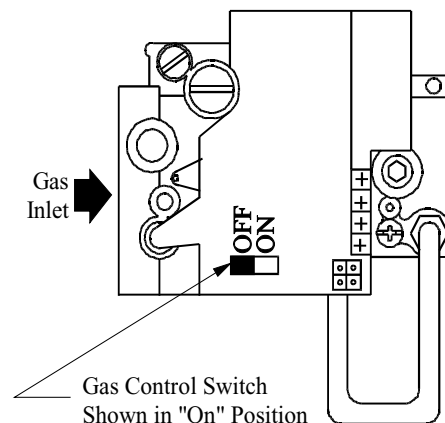
**For Your Safety - READ BEFORE LIGHTING:**

**WARNING:** If you do not follow these instructions exactly, a fire or explosion may result causing property damage, personal injury or loss of life.

- A. This appliance is equipped with an ignition system that lights the pilot burner automatically. **Do not attempt to light the pilot by hand.**
- B. **BEFORE LIGHTING** smell all around the appliance area for gas. Be sure to smell next to the floor because some gas is heavier than air and will settle on the floor.
  - What To Do If You Smell Gas:**
    - Do not try to light any appliance.
    - Do not touch any electrical switch; do not use any phone in your building.
    - Immediately call your gas supplier from a neighbour's phone. Follow the gas supplier's instructions.
- If you cannot reach your gas supplier, call the Fire Department.
- C. Use only your hand to push in or turn the gas control knob. Never use tools. If the knob will not push in or turn by hand, don't try to repair it, call a qualified service technician. Force or attempt to repair may result in a fire or explosion.
- D. Do not use this appliance if any part has been under water. Immediately call a qualified service technician to inspect the appliance and to replace any part of the control system, and any gas control which has been under water.

**Lighting Instructions:**

1. **STOP!** Read the safety information above on this label.
2. Lift out the lower Horizontal access panel.
3. Turn switch on the gas control to OFF".
4. Wait 5 minutes to clear out any gas. If you smell gas, **STOP!** Follow "B" in the safety information above on this label. If you don't smell gas, go to the next step.
5. Turn switch on the gas control to "ON". **NOTE:** This unit is equipped with an ignition system that lights the pilot burner automatically. **Do not attempt to light the pilot by hand.**
6. Turn on wall switch.
7. Replace the lower Horizontal access panel.
8. If the fireplace does not operate, follow the instructions "To Turn Off Gas To Appliance" and call your service technician or gas supplier.



**To Turn Off Gas To Appliance:**

1. Turn off remote switch.
2. Lift out the lower Horizontal access panel.
3. Turn the switch on the gas control to "Off".
4. Replace the lower Horizontal access panel.

# Operation - Model L42DF-ST-A

L42DF-ST-A

with American Flame Electronic Ignition

## For Your Safety - READ BEFORE LIGHTING:

**WARNING:** If you do not follow these instructions exactly, a fire or explosion may result causing property damage, personal injury or loss of life.

- A.** This appliance is equipped with an ignition system that allows for both continuous pilot operation as well as an electronic ignition that lights the pilot burner automatically. **Do not attempt to light the pilot by hand.**
- B. BEFORE LIGHTING** smell all around the appliance area for gas. Be sure to smell next to the floor because some gas is heavier than air and will settle on the floor.

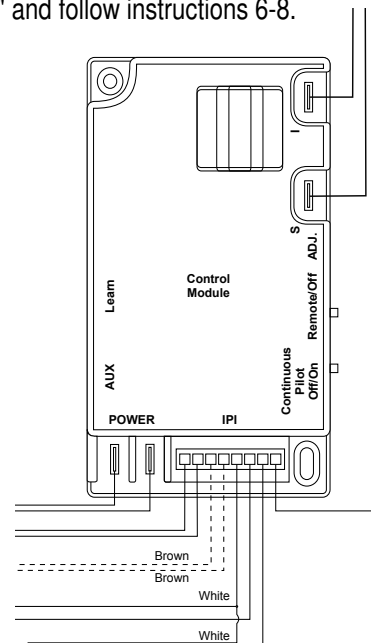
### What To Do If You Smell Gas:

- Do not try to light any appliance.
- Do not touch any electrical switch; do not use any phone in your building.
- Immediately call your gas supplier from a neighbour's phone. Follow the gas supplier's instructions.
- If you cannot reach your gas supplier, call the Fire Department.

## Lighting Instructions:

1. **STOP!** Read the safety information above on this label.
2. Lift out the lower Horizontal access panel.
3. If the switch on the control module is set to "Continuous Pilot Off" then the pilot will light when the appliance is turned on by the remote switch. When switched to "Continuous Pilot On" then the control module will attempt to light the pilot until it detects that the pilot has been successfully lit.
4. With the control module set to "Continuous Pilot Off" wait 5 minutes to clear out any gas. If you smell gas, **STOP!** Follow "B" in the safety information above on this label. If you don't smell gas, go to the next step.
5. Turn switch on the control module to "Continuous Pilot On" This will initiate the lighting of the pilot. **NOTE:** This unit is equipped with an ignition system that lights the pilot burner automatically. **Do not attempt to light the pilot by hand.**
6. Turn on wall switch.
7. Replace the lower Horizontal access panel

8. If the fireplace does not operate, follow the instructions "To Turn Off Gas To Appliance" and call your service technician or gas supplier.
9. If you wish to operate the Fireplace without the Continuous Pilot simply turn the switch on the control module to "Continuous Pilot Off" and follow instructions 6-8.



## To Turn Off Gas To Appliance:

1. Turn off remote switch.
2. Lift out the lower Horizontal access panel.
3. Turn the switch on the Control Module to "Continuous Pilot Off".
4. Replace the lower Horizontal access panel.

**Operation**

**Maintenance**

**Lighting Instructions**

See pages 13 to 15.

**Burner Adjustment**

The L42DF-ST is equipped with an adjustable burner, allowing you to raise or lower the flames. To adjust the flames, locate the black knob marked 'Hi-Lo', in the centre of the gas control valve (See Figure 32). The front burners are not adjustable.

- To raise the flame height, turn the black knob (located behind the lower trim) **counter-clockwise**.
- To lower the flame height, turn **clockwise**.

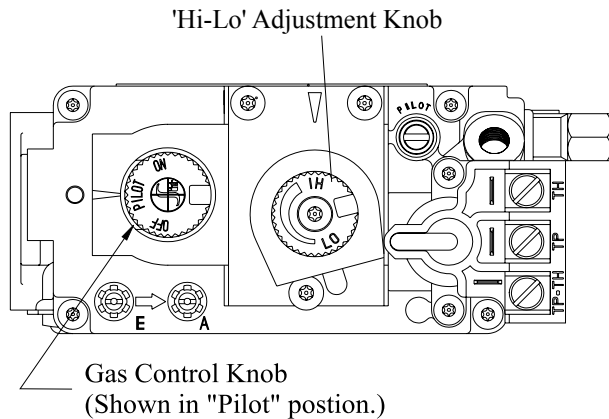


Figure 32. 'Hi-Lo' Adjustment on the L42DF-ST's gas valve.

**Note:** L42DF-ST-I models (electronic ignition) do not feature hi/lo adjustment.

**CAUTIONS**

- Fireplace gas control must be in the "OFF" position and pilot and main burners extinguished when cleaning appliance with a vacuum.
- Doors and logs can get very hot. Handle only when cool.

**General**

- **Have the fireplace and installation inspected yearly.** The inspection must include, but is not limited to, the following:
  - A visual check of the entire vent system and termination.
  - An inspection of the explosion relief flappers and the door gasketing to ensure a proper seal.
  - An inspection of the burner, venturi, and primary air openings.
  - An inspection of the gas valve, gas components, and pilot flame. For your convenience a 1/8" manifold pressure tap is supplied on the gas valve for a test gauge connection. See Figure 32.
  - Inspection of all optional equipment; fans, thermostats, etc.
- For **Natural Gas** this appliance requires a minimum inlet pressure of 5.5" W.C. and a manifold pressure of 3.5" W.C.
- Always keep the fireplace area clear and free of combustible materials, as well as gasoline and other flammable vapors and liquids.
- Do not use this appliance if *any part has been under water*. Immediately call a qualified service technician to inspect the appliance and to replace any part of the control system and any gas control which has been under water.

**Cleaning**

When the fireplace is first activated, there may be some smoking and a visible film may be left on the glass. This is a normal condition, and is the result of burning of protective coatings on new metal.

- Glass must be cleaned periodically to remove any film (which is a normal by-product of combustion) which may be visible. Film can easily be removed by removing the door, as shown on page 12. Handle the door carefully, and clean it with non-abrasive glass cleaners. One of the most effective products is Kel Kem.
- Silicone seals on inner door during initial firing will "off gas", leaving a visual deposit of a white substance on combustion chamber walls. This can easily be removed using normal household products.
- Use a vacuum cleaner or whisk broom to keep the control compartment, burner, and firebox free from dust and lint.
- Linear Burners may be cleaned periodically with a vacuum to remove soot or other contaminants.

**WARNING:**

Do not attempt to clean glass when hot.  
Do not clean glass with abrasive materials as any glass etching may cause premature glass failure.

# Maintenance

## Gas Control Valve

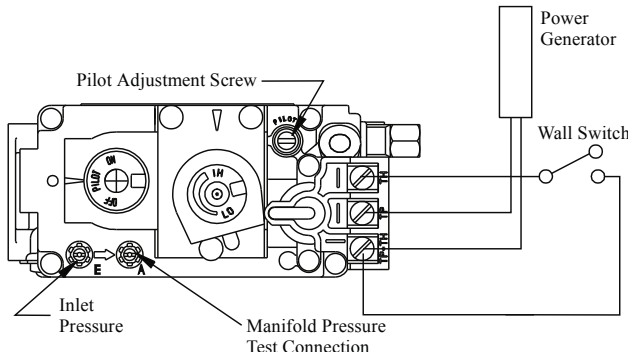


Figure 33. Sit Nova 820 gas valve.

### Pilot Burner Adjustment

1. Locate Pilot Adjustment Screw. (See figure 33.)
2. Adjust pilot screw to provide properly sized flame as shown in figure 34).
3. After installing or servicing, leak test with a soap solution with main burner on. Coat pipe and tubing joints, gasket etc. with soap solution. Bubbles indicate leaks. Tighten any areas where the bubbles appear until the bubbling stops completely.

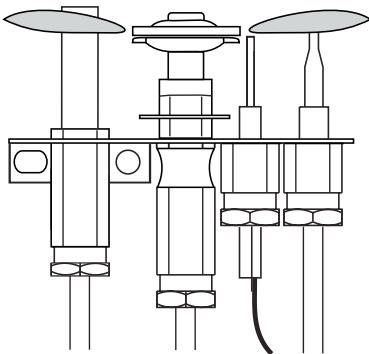


Figure 34. Pilot Burner.

## Troubleshooting L42DF-ST

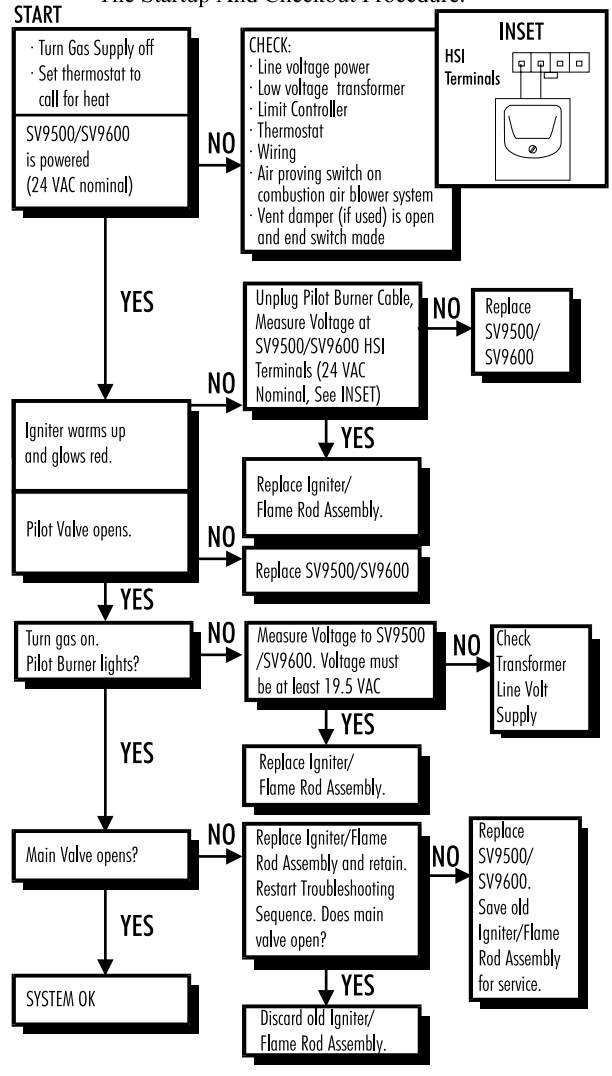
The following is a troubleshooting chart of possible problems:

PROBLEM	CORRECTIVE ACTION
Noisy Pilot Flame	Locate pilot adjustment screw on gas control valve. Flame is decreased by turning adjustment screw clockwise.
Pilot won't ignite	Disconnect remote wires and try to light pilot. If pilot now works, remote connections are faulty. Check wiring diagram figure 33.
Main burner will not light	1. Check wiring (see figure 33). 2. Check wall switch for proper connection.

## Troubleshooting L42DF-ST-I

### HONEYWELL SV 9500 /SV9600 Troubleshooting Sequence

**NOTE:** Before Troubleshooting, Familiarize Yourself With The Startup And Checkout Procedure.



If your fireplace still does not operate correctly, consult your dealer or the manufacturer.

**All service and repairs should be performed by a qualified agency.**

All spare parts, optional fans, and optional trim finishes are available from your local dealer or the manufacturer.

# Maintenance

## Spare Parts - L42DF-ST

	L42DF-ST
NG Gas Valve	RGC1006
NG Pilot	RPA020
Burner NG	RBL42501
Orifice NG	N/A
Door	RDTL42
Burner Base	RLG549

# Warranty

## The Warranty

The Companies warrants the Montigo Gas Appliance to be free from defects in materials and workmanship at the time of manufacture. On the Montigo, there is a ten-year warranty on the firebox and its components, a five-year warranty on the main burner and pilot burner, and a one-year warranty on the gas control valve and fibre logs. Glass, plated/painted finishes, and refractory lining are exempt.

## Remedy And Exclusions

The coverage of this Warranty is limited to all components of the Gas Appliance manufactured by The Companies.

This Warranty only covers Montigo Gas Appliances installed in the United States or Canada.

If the components of the Gas Appliance covered by this Warranty are found to be defective within the time frame stated (see The Companies right of investigation outlined below). The Companies will, at its option, replace or repair defective components of the Gas Appliance manufactured by The Companies at no charge, and will also pay for reasonable labour costs incurred in replacing or repairing components. If repair or replacement is not commercially practical, The Companies will, at its option, refund the purchase price of the Montigo Gas Appliance.

This Warranty covers only parts and labour as provided above. In no case shall The Companies be responsible for materials, components, or construction which are not manufactured or supplied by The Companies, or for the labour necessary to install, repair or remove such materials, components or construction. All replacement or repair components will be shipped F.O.B. the nearest The Companies factory.

## Qualifications To The Warranty

The Gas Appliance Warranty outlined above is further subject to the following qualifications:

- (1) The Gas Appliance must be installed in accordance with The Companies installation instructions and local building codes. The Warranty on this Montigo Gas Appliance covers only the component parts manufactured by The Companies. The use of components manufactured by others with this Montigo Gas Appliance could create serious safety hazards, may result in the denial of certification by recognized national safety agencies, and could be in violation of local building codes. This warranty does not cover any damages occurring from the use of any components not manufactured or supplied by The Companies
- (2) The Montigo Gas Appliance must be subjected to normal use. The Gas Appliances are designed to burn gas only. Burning conventional fireplace fuels such as wood, coal or any other solid fuel will cause damage to the Gas Appliance, will produce excessive temperatures and will result in a fire hazard.

## Limitations On Liability

It is expressly agreed and understood that The Companies sole obligation, and purchaser's exclusive remedy under this Warranty, under any other warranty, expressed or implied, or in contract, tort or otherwise, shall be limited to replacement, repair, or refund, as specified above.

In no event shall The Companies be responsible for any incidental or consequential damages caused by defects in its products, whether such damage occurs or is discovered before or after replacement or repair, and whether or not such damage is caused by The Companies negligence. Some states do not allow the exclusion or limitation of incidental or consequential damages, so the above limitation or exclusion may not apply to you. The duration of any implied warranty with respect to this Montigo Gas Appliance is limited to the duration of the foregoing warranty. Some states do not allow limitation on how long an implied warranty lasts, so the above may not apply to you.

## Investigation Of Claims Against Warranty

The Companies reserves the right to investigate any and all claims against this Warranty and to decide upon method of settlement.

The Companies Are Not Responsible For Work Done Without Written Consent

The Companies shall in no event be responsible for any warranty work done without first obtaining The Companies written consent.

Dealers Have No Authority To Alter This Warranty

The Companies employees and dealers have no authority to make any warranties nor to authorize any remedies in addition to or inconsistent with those stated above.

## How To Register A Claim Against Warranty

In order for any claim under this Warranty to be valid, The Companies must be notified of the claimed defect in writing or by telephone, as soon as reasonably possible after the defect is discovered. Claims against this Warranty in writing should include the date of installation, and a description of the defect.

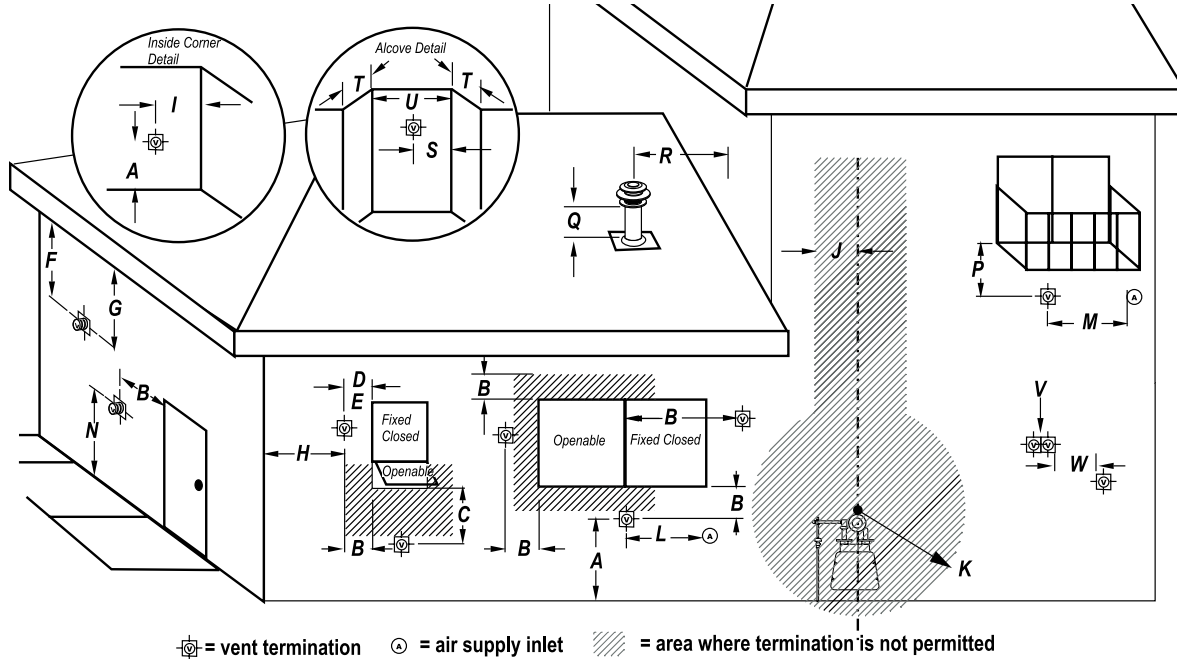
## Other Rights

This Warranty gives you specific legal rights, and you may also have other rights which vary from state to state.

**NOTE:** The Companies as stated above refer to - Canadian Heating Products Inc. and/or Montigo Del Ray Corp.

*Canadian Heating Products Inc. and/or Montigo DelRay Corp. reserves the right to make changes at any time, without notice, in design, materials, specifications, prices and also to discontinue colors, styles and products.*

# Appendix A - Termination Locations



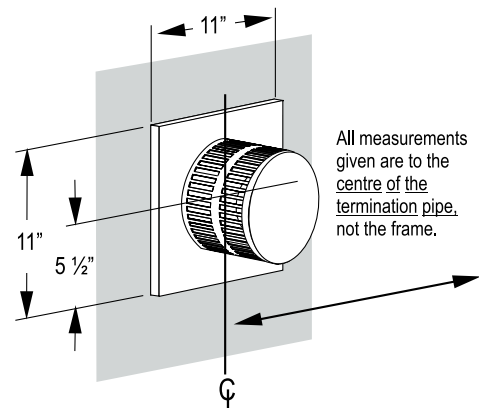
⊕ = vent termination   ⊙ = air supply inlet   ▨ = area where termination is not permitted

- A** = clearance to the termination frame above grade, veranda, porch, deck, or balcony [16 inches (41 cm) minimum]
- B** = clearance to door, or sides and top of window, that may be opened [16 inches (41 cm) minimum for appliances ≤100 000 BTU/H (30kW)]
- C** = clearance to bottom of window that may be opened horizontally [36 inches (92 cm) minimum for appliances ≤100 000 BTU/H (30kW)]
- D** = no clearance to permanently closed window when installed with approved glass penetration termination
- E** = clearance to permanently closed window [16 inches 41 cm recommended to prevent condensation on window]
- F** = vertical clearance to ventilated soffit located above the termination within a horizontal distance of 2 feet (61 cm) from the centreline of the termination [22 inches (56 cm) minimum]
- G** = clearance to unventilated soffit [16 inches (41 cm) minimum to non-combustibles] [22 inches (56 cm) minimum to combustibles]
- H** = clearance to outside corner [9 inches (23 cm) minimum]
- I** = clearance to inside corner [12 inches (31 cm) minimum]
- J** = \* not to be installed above a meter/regulator assembly within 40" (103 cm) horizontally from the centreline of the regulator
- K** = clearance to service regulator vent outlet [3 feet minimum in the United States] [\*6 feet (1.8 m) minimum in Canada]
- L** = clearance to non-mechanical air supply inlet to building or the combustion air inlet to any other appliance [16 inches (41 cm) minimum for appliances ≤100 000 BTU/H (30kW)]
- M** = clearance to mechanical air supply inlet [\*6 feet (1.8 m) minimum]

- N** = † clearance above paved sidewalk or a paved driveway located on public property [\*7 feet (2.1 m) minimum]
  - P** = clearance under veranda, porch, deck, or balcony [16 inches (41 cm) minimum† to non-combustibles] [22 inches (56 cm) minimum† to combustibles]
  - Q** = clearance above a roof [24 inches (61 cm) minimum]
  - R** = clearance to adjacent walls and neighboring buildings [18 inches (46 cm) minimum]
  - S** = clearance from corner in recessed location [12 inches (31 cm) minimum]
  - T** = maximum depth in recessed location [48 inches (122 cm) minimum]
  - U** = minimum width for back wall of recessed location [24 inches (61 cm) minimum]
  - V** = no horizontal clearance between the frames of two terminations that are level.
  - W** = horizontal clearance between the frames of two terminations that are not level. [36 inches (92 cm) minimum]
- † a vent shall not terminate directly above a sidewalk or paved driveway which is located between two single family dwellings and serves both dwellings

‡ only permitted if veranda, porch, deck, or balcony has an open side that is equal to or greater than the depth of the enclosed area

\* as specified in CGA B149 Installation Codes. Note: local Codes or Regulations may require different clearance.



# Appendix B - State of Massachusetts

## Amendment

### (Gas Fireplace / Equipment sold in the State of Massachusetts)

#### 5.08: Modifications to NFPA-54, Chapter 10

**(1) Revise NFPA-54 section 10.5.4.2** by adding a second exception as follows:

Existing chimneys shall be permitted to have their use continued when a gas conversion burner is installed, and shall be equipped with a manually reset device that will automatically shut off the gas to the burner in the event of a sustained back-draft.

**(2) Revise 10.8.3** by adding the following additional requirements:

(a) For all side wall horizontally vented gas fueled equipment installed in every dwelling, building or structure used in whole or in part for residential purposes, including those owned or operated by the Commonwealth and where the side wall exhaust vent termination is less than seven (7) feet above finished grade in the area of the venting, including but not limited to decks and porches, the following requirements shall be satisfied:

**1. INSTALLATION OF CARBON MONOXIDE DETECTORS.** At the time of installation of the side wall horizontal vented gas fueled equipment, the installing plumber or gas fitter shall observe that a hard wired carbon monoxide detector with an alarm and battery back-up is installed on the floor level where the gas equipment is to be installed. In addition, the installing plumber or gas fitter shall observe that a battery operated or hard wired carbon monoxide detector with an alarm is installed on each additional level of the dwelling, building or structure served by the side wall horizontal vented gas fueled equipment. It shall be the responsibility of the property owner to secure the services of qualified licensed professionals for the installation of hard wired carbon monoxide detectors

a. In the event that the side wall horizontally vented gas fueled equipment is installed in a crawl space or an attic, the hard wired carbon monoxide detector with alarm and battery back-up may be installed on the next adjacent floor level.

b. In the event that the requirements of this subdivision can not be met at the time of completion of installation, the owner shall have a period of thirty (30) days to comply with the above requirements; provided, however, that during said thirty (30) day period, a battery operated carbon monoxide detector with an alarm shall be installed.

**2. APPROVED CARBON MONOXIDE DETECTORS.** Each carbon monoxide detector as required in accordance with the above provisions shall comply with NFPA 720 and be ANSI/UL 2034 listed and IAS certified.

**3. SIGNAGE.** A metal or plastic identification plate shall be permanently mounted to the exterior of the building at a minimum height of eight (8) feet above grade directly in line with the exhaust vent terminal for the horizontally vented gas fueled heating appliance or equipment. The sign shall read, in print size no less than one-half (1/2) inch in size, "GAS VENT DIRECTLY BELOW. KEEP CLEAR OF ALL OBSTRUCTIONS".

**4. INSPECTION.** The state or local gas inspector of the side wall horizontally vented gas fueled equipment shall not approve the installation unless, upon inspection, the inspector observes carbon monoxide detectors and signage installed in accordance with the provisions of 248 CMR 5.08(2)(a)1 through 4.

(b) EXEMPTIONS: The following equipment is exempt from 248 CMR 5.08(2)(a)1 through 4:

1. The equipment listed in Chapter 10 entitled "Equipment Not Required To Be Vented" in the most current edition of NFPA 54 as adopted by the Board; and

2. Product Approved side wall horizontally vented gas fueled equipment installed in a room or structure separate from the dwelling, building or structure used in whole or in part for residential purposes.

**(c) MANUFACTURER REQUIREMENTS - GAS EQUIPMENT VENTING SYSTEM PROVIDED.** When the manufacturer of Product Approved side wall horizontally vented gas equipment provides a venting system design or venting system components with the equipment, the instructions provided by the manufacturer for installation of the equipment and the venting system shall include:

1. Detailed instructions for the installation of the venting system design or the venting system components; and

2. A complete parts list for the venting system design or venting system.

**(d) MANUFACTURER REQUIREMENTS - GAS EQUIPMENT VENTING SYSTEM NOT PROVIDED.** When the manufacturer of a Product Approved side wall horizontally vented gas fueled equipment does not provide the parts for venting the flue gases, but identifies "special venting systems", the following requirements shall be satisfied by the manufacturer:

1. The referenced "special venting system" instructions shall be included with the appliance or equipment installation instructions; and

**2. The "special venting systems"** shall be Product Approved by the Board, and the instructions for that system shall include a parts list and detailed installation instructions.

(e) A copy of all installation instructions for all Product Approved side wall horizontally vented gas fueled equipment, all venting instructions, all parts lists for venting instructions, and/or all venting design instructions shall remain with the appliance or equipment at the completion of the installation.

**(3) After NFPA-54 section 10.10.4.2** add a new section 10.10.4.3 as follows:

When more than four gas appliances are to be vented through a common gas vent or common horizontal vent manifold, a plan of the proposed vent installation shall be submitted to the Inspector and the serving gas supplier for review and approval.

#### Extraction from: Massachusetts Rules and Regulations

#### 5.00: Amendments To 2002 Edition Of ANSI Z223.1-NFPA-54

**Notes:**



XG0812 - 050608

---

**Canadian Heating Products Inc.**  
Langley, BC V4W 4A1

**Montigo Del Ray Corp.**  
Ferndale, WA 98248