

# SPECIFICATION SHEET 515 AYSTON USA / CANADA



**515US**  
clear glass front



**515US-M**  
mirrored glass

MODEL #:	515US, 515US-M
FINISHES:	GLASS OR MIRROR GLASS
FITTING:	WALL HANGING ONLY
LAUNCH:	FEB 2008
WEIGHT:	77 lb, 35Kgs
LAUNCH:	FEB 2008

CONTROLS:	TOUCH CONTROL
	REMOTE CONTROL
FUEL EFFECTS:	PEBBLES, SHELLS, CHIPPINGS
HEATER OUTPUT:	4,500 BTU, 1.3 Kw
LIGHT BULBS:	3 x 40W, ES27
CABLE LENGTH:	6 Ft, 1.8 METER

### FIRE DIMENSIONS

H 23 <sup>5/8"</sup> W 37" D 6 <sup>1/2"</sup>

### PACKAGING DIMENSIONS

H 38 <sup>4/7"</sup> W 10 <sup>5/8"</sup> D 26 <sup>7/9"</sup>

### ELECTRIC SPECIFICATIONS:

VOLTAGE 120VAC, 60Hz

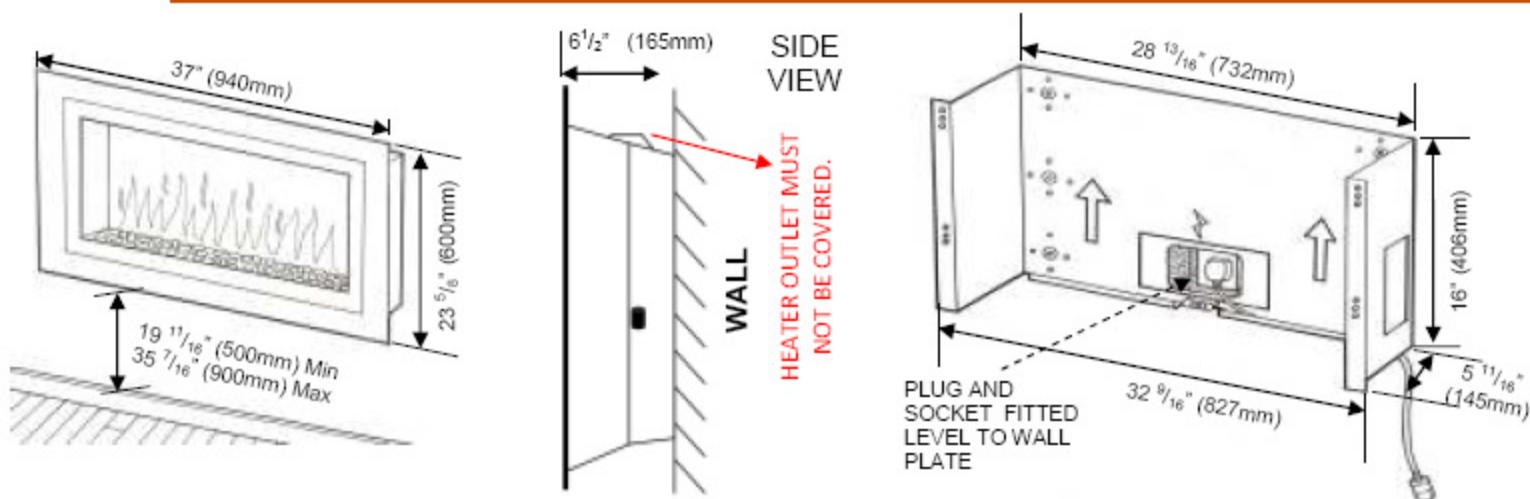
TOTAL AMPS 12 AMPS

TOTAL WATTS 1420 WATTS

HEATER RATING 1300 WATTS

### Comments:

- The black and grey stripes on the trim are colours fused in the glass. There is no metal in the trim.
- There is a master switch on the right-hand side of the fire. This will switch off the fire completely. Please ensure the master switch is in the "on" position, before switching the fire on with the remote control or touch control.
- The Burley logo on the glass is sensitive to the touch. Simply touch the logo to cycle the fire through the different functions.
- Bulb changing is made easy through a pull-down flap at the bottom of the fire.



### WALL FIXINGS



NYLON WALL PLUGS  
 SUPPLIED SUITABLE FOR  
 MASONRY AND AERATED  
 CONCRETE ONLY.



FOR PLASTERBOARD  
 AND CAVITY FITTINGS,  
 ADDITIONAL FIXING  
 WILL BE REQUIRED.